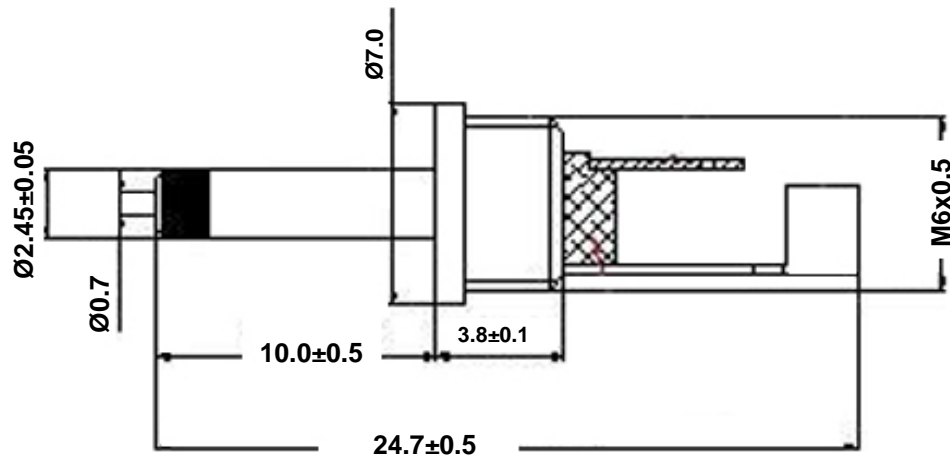
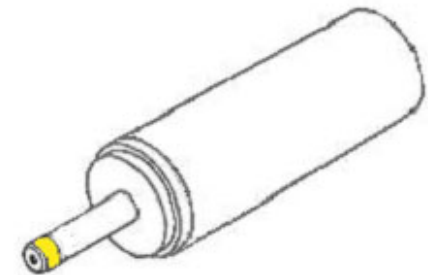
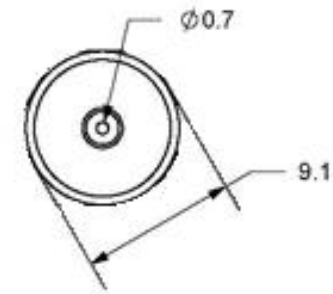
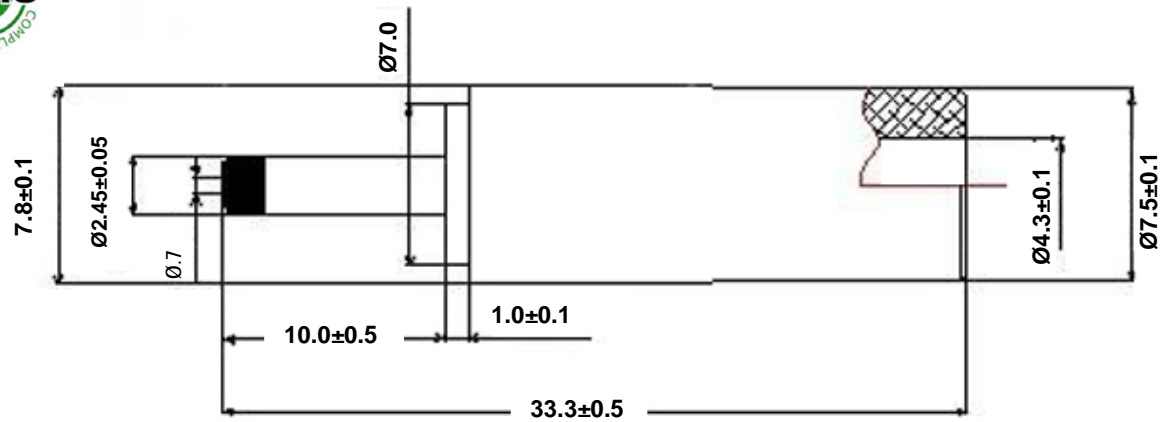




Tolerance is
 X.X±.0.2MM
 X.XX±0.1MM
 X.XXX±0.05
 unless otherwise
 specified.



| |
|---|
| Mating Receptacle Options for Ø.725-HP |
| 1. 22HP007-Ø.7PC -PC Mount Right Angle |

| | |
|-----------------|-------------------|
| PART NO. | Ø.725-HP |
| DATE | 12.11.2014 |
| APPROVAL | CB |
| UNIT | mm |
| REV | Ø |

| | |
|-------------------|--|
| PART TITLE | DC Plug, Male 0.7 x 2.5 x 9.5mm, Hard Plastic Shell |
|-------------------|--|



CONDOR ELECTRONICS, INC.
 T: 408-745-7141 F: 408-745-0439
 990 San Antonio Road
 Palo Alto, CA 94303 USA
sales@condorelectronics.net