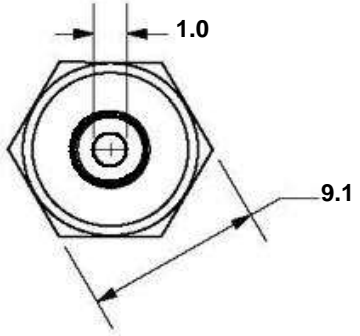
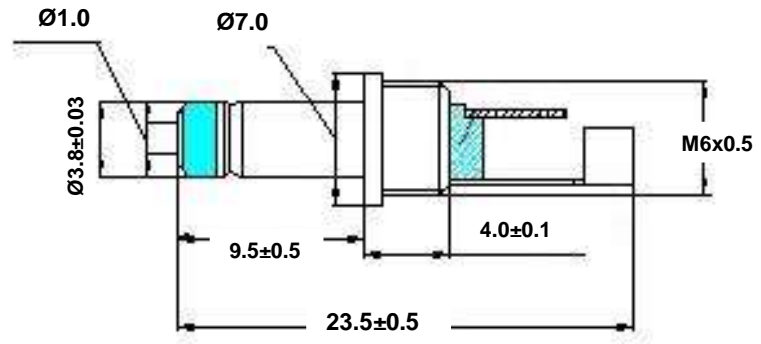
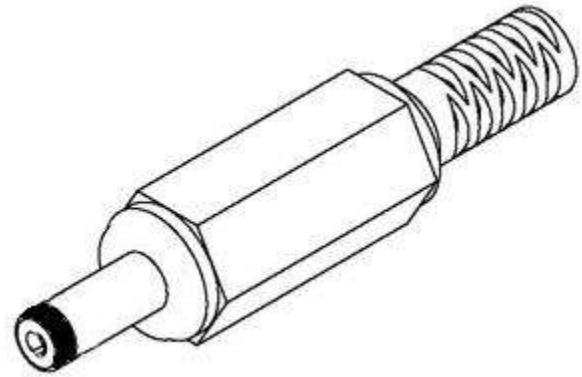
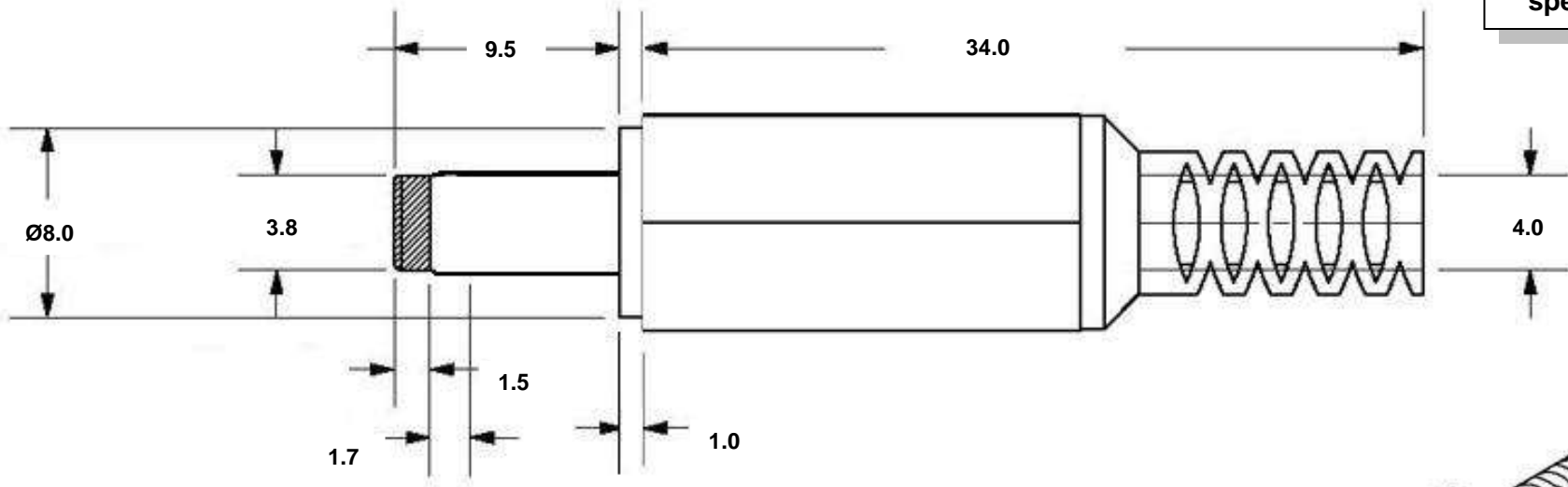




Tolerance is  
± .2MM  
unless  
otherwise  
specified.



<b>PART TITLE</b>	DC Plug, Male 1.0 x 3.8 x 9.5mm, Octagonal Shell
-------------------	--

<b>PART NO.</b>	100
<b>DATE</b>	12.11.2014
<b>APPROVAL</b>	CB
<b>UNIT</b>	mm
<b>REV</b>	0

**CONDOR ELECTRONICS, INC.**  
T: 408-745-7141 F: 408-745-0439  
780 Montague Expy. Ste. 406  
San Jose, CA 95131 USA  
sales@condorelectronics.net

<b>Mating Receptacle Options for 100</b>
1. 22HP010-1.0PC - PC Mount Right Angle