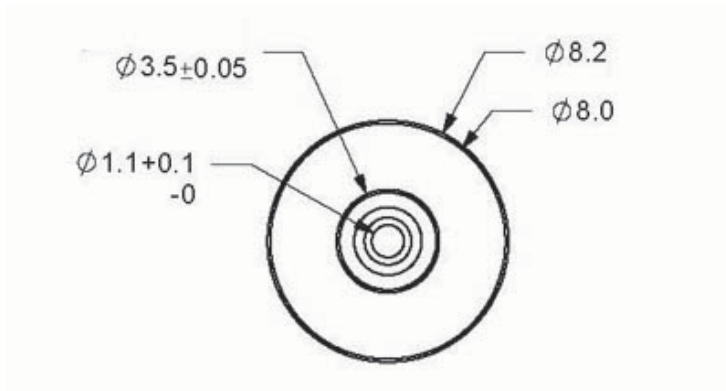
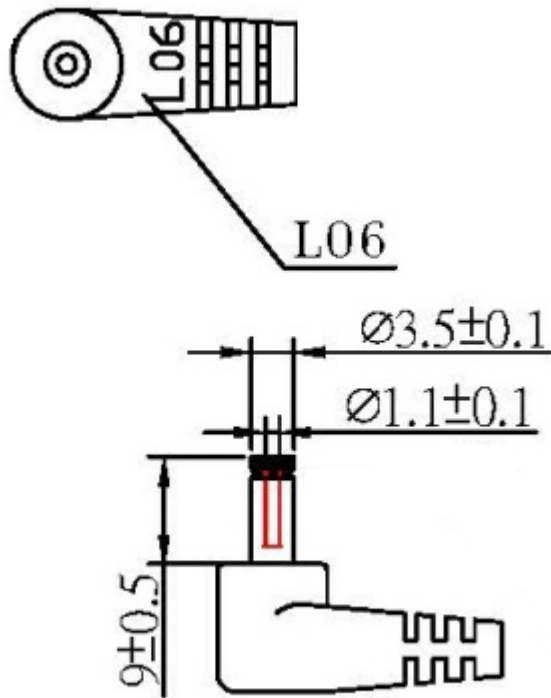




Tolerance is
± .3MM
unless
otherwise
specified.



PART TITLE	DC Plug, Male 1.1 x 3.5 x 9.5MM Right Angle Molded (Standard Mold)
-------------------	--

PART NO.	101A-RA MOLDED
DATE	2.5.2015
APPROVAL	CB
UNIT	mm
REV	0



CONDOR ELECTRONICS, INC.
T: 408-745-7141 F: 408-745-0439
990 San Antonio Road
Palo Alto, CA 94303 USA
sales@condorelectronics.net