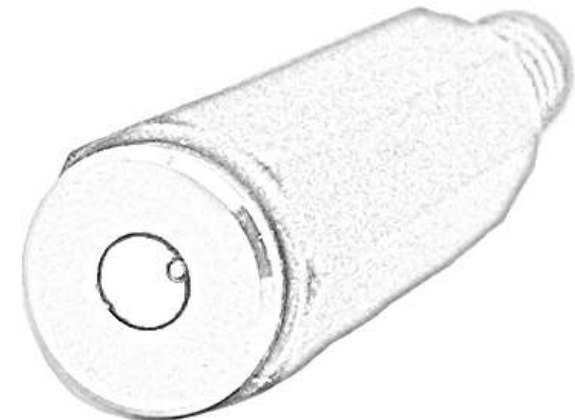
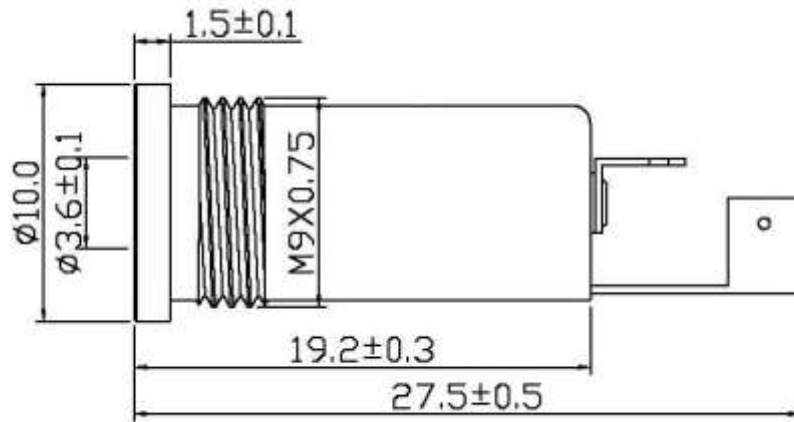
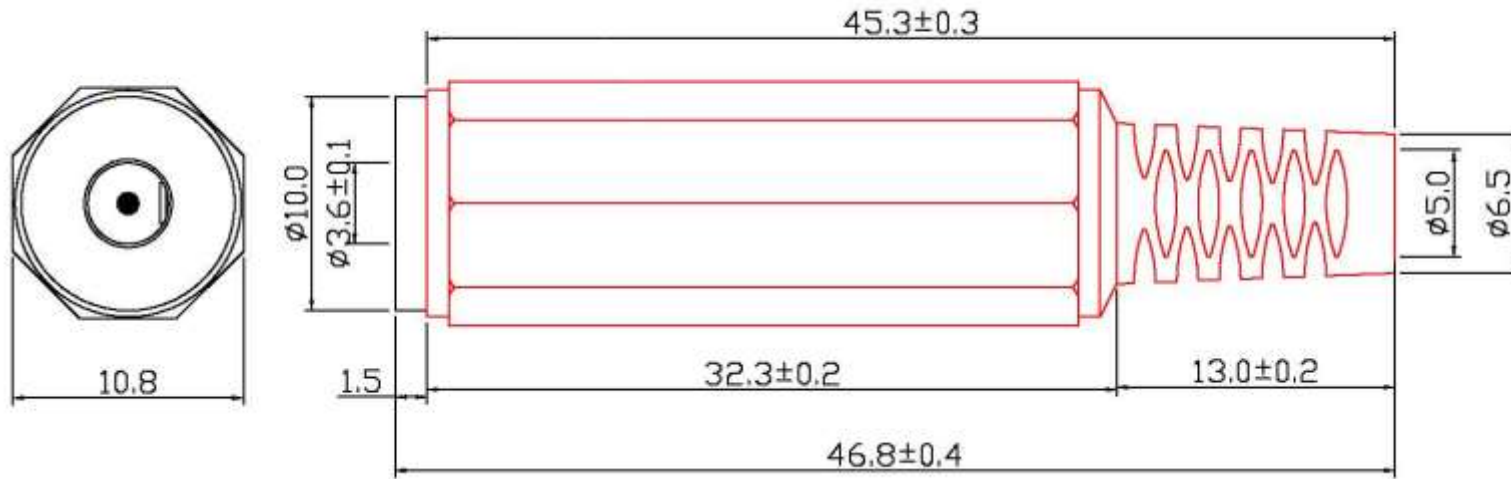




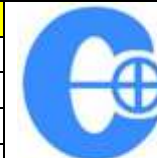
Tolerance is
± .2MM
unless
otherwise
specified.



Mating Receptacle Options for 103INL
1. ANY 103 STYLE PLUG (1.3 x 3.5mm)

PART NO.	103INL
DATE	12.11.2014
APPROVAL	CB
UNIT	mm
REV	0

PART TITLE	DC 1.3mm Inline cable mount receptacle
-------------------	--



CONDOR ELECTRONICS, INC.
T: 408-745-7141 F: 408-745-0439
990 San Antonio Road
Palo Alto, CA 94303 USA
sales@condorelectronics.net