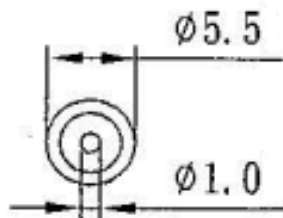
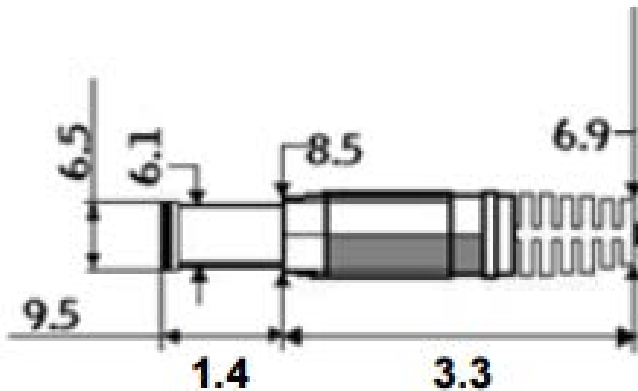




Tolerance is  
± .2MM  
unless  
otherwise  
specified.



|                   |   |
|-------------------|---|
| <b>PART TITLE</b> | DC Plug, Male 1.0 Pin 3.3 x 5.5 x 9.5MM, Molded |
|-------------------|---|

|                 |                       |
|-----------------|-----------------------|
| <b>PART NO.</b> | 108(EIAJ-4)<br>Molded |
| <b>DATE</b>     | 4.21.2014             |
| <b>APPROVAL</b> | CB                    |
| <b>UNIT</b>     | mm                    |
| <b>REV</b>      | 0                     |



**CONDOR ELECTRONICS, INC.**  
T: 408-745-7141 F: 408-745-0439  
990 San Antonio Road  
Palo Alto, CA 94303 USA  
sales@condorelectronics.net