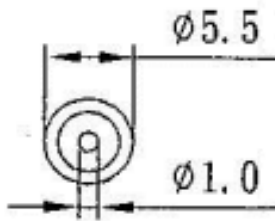
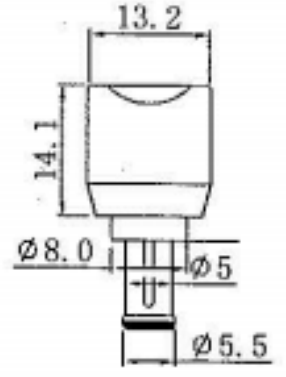
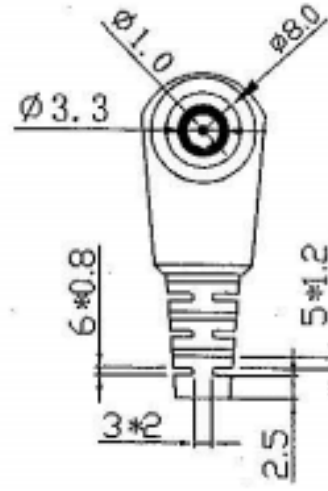
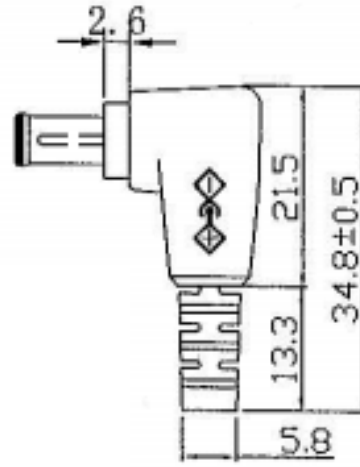
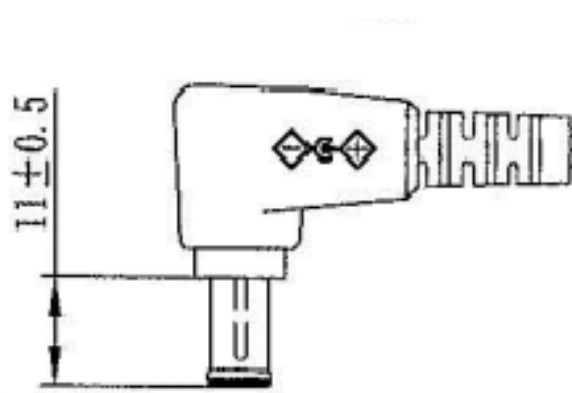




Tolerance is
± .2MM
unless
otherwise
specified.



PART TITLE	DC Plug, Male 1.0 Pin 3.3 x 5.5 x 9.5MM, Molded Right Angle
-------------------	--

PART NO.	108RA(EIAJ4) Molded
DATE	4.21.2014
APPROVAL	CB
UNIT	mm
REV	0



CONDOR ELECTRONICS, INC.
T: 408-745-7141 F: 408-745-0439
990 San Antonio Road
Palo Alto, CA 94303 USA
sales@condorelectronics.net