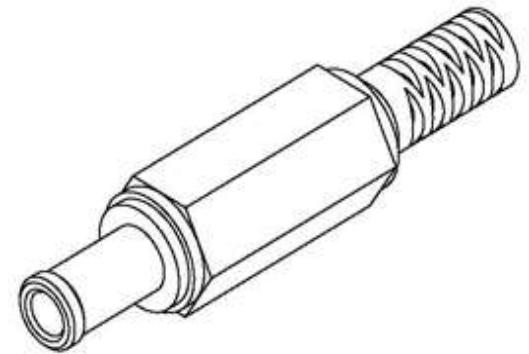
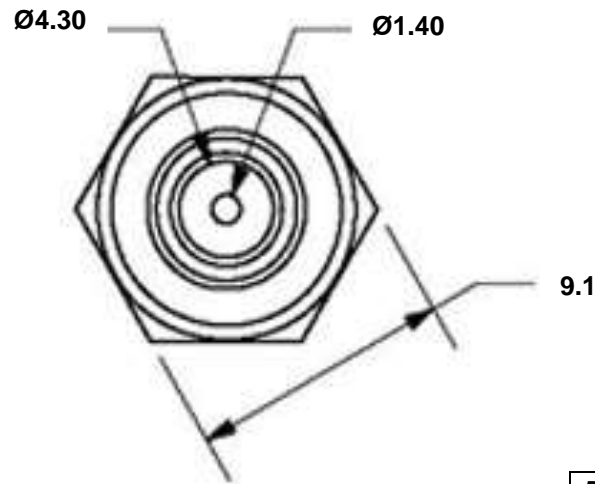
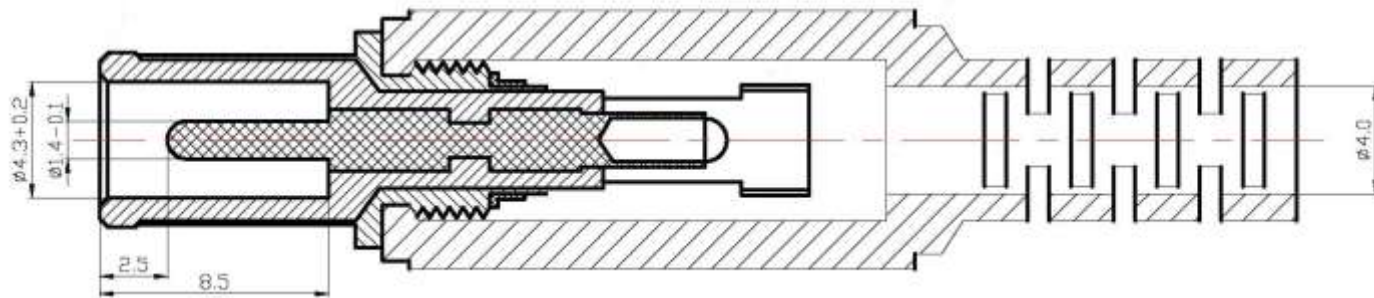


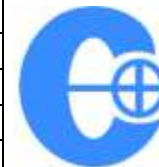


Tolerance is
 $\pm .2\text{MM}$
 unless
 otherwise
 specified.



PART TITLE	DC Plug, Male 1.4 Pin 4.3 x 6.5 x 9.5mm, Octagonal Shell
-------------------	---

PART NO.	109(EIAJ-5)
DATE	12.11.2014
APPROVAL	CB
UNIT	mm
REV	0



CONDOR ELECTRONICS, INC.
 T: 408-745-7141 F: 408-745-0439
 780 Montague Expy. Ste. 406
 San Jose, CA 95131 USA
sales@condorelectronics.net