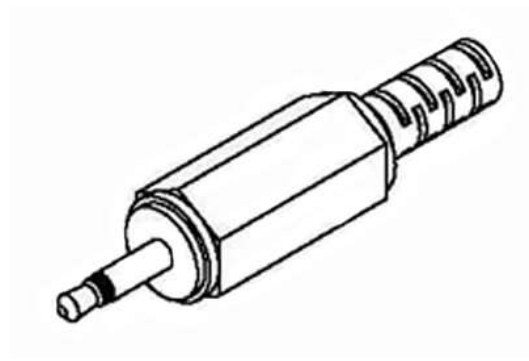
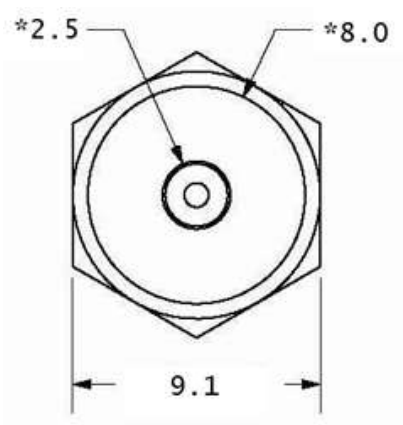
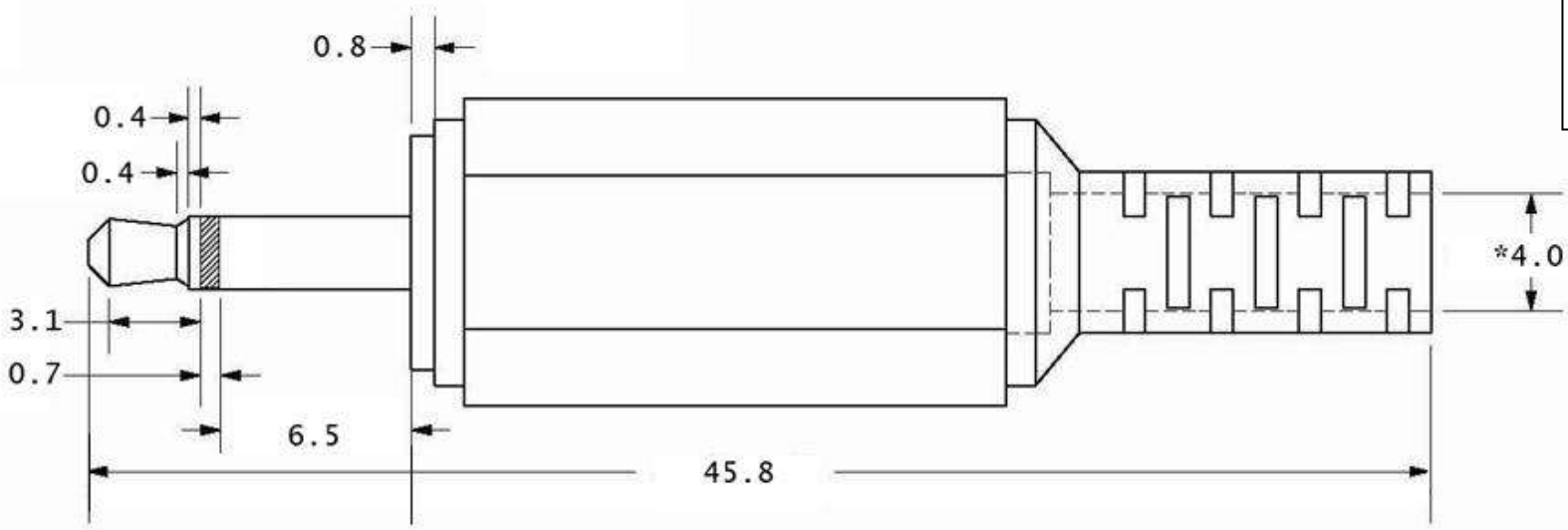




Tolerance is
± .2MM
unless
otherwise
specified.



| Mating Receptacle Options for 201 | |
|-----------------------------------|--|
| 1. HTJ-025 - Chassis Mount | |
| | |

| | |
|-----------------|-------------------|
| PART NO. | 201 |
| DATE | 12.11.2014 |
| APPROVAL | CB |
| UNIT | mm |
| REV | 0 |

| | |
|-------------------|---|
| PART TITLE | Mono Plug, Male 2.5 x 11mm Length, Octagonal Shell |
|-------------------|---|



CONDOR ELECTRONICS, INC.
 T: 408-745-7141 F: 408-745-0439
 990 San Antonio Road
 Palo Alto, CA 94303 USA
sales@condorelectronics.net