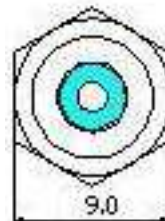
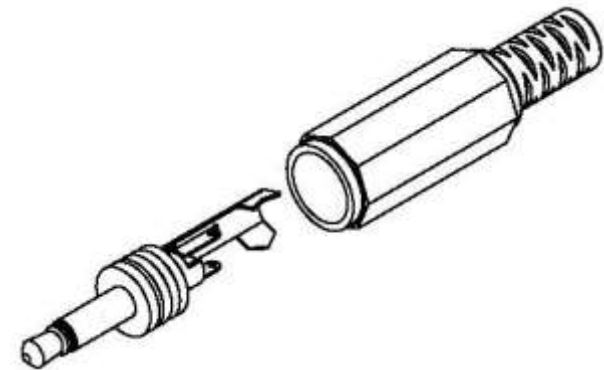
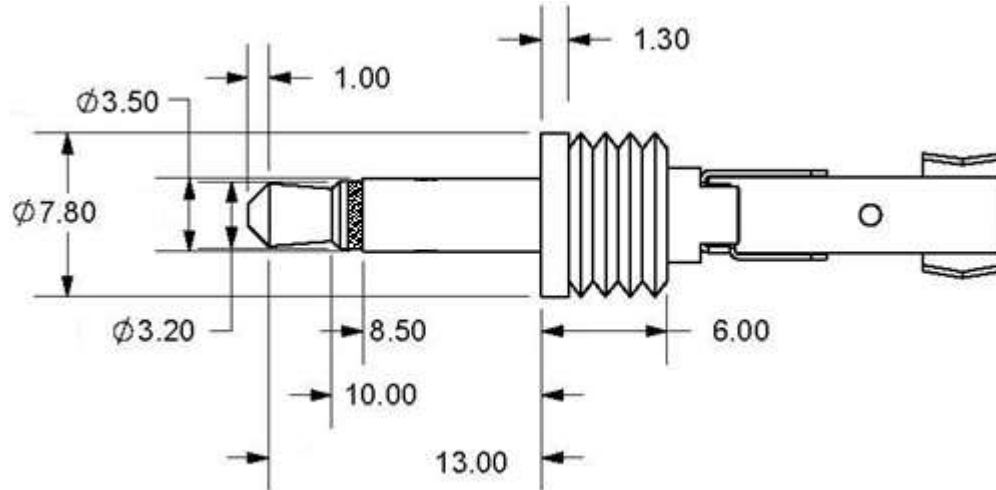
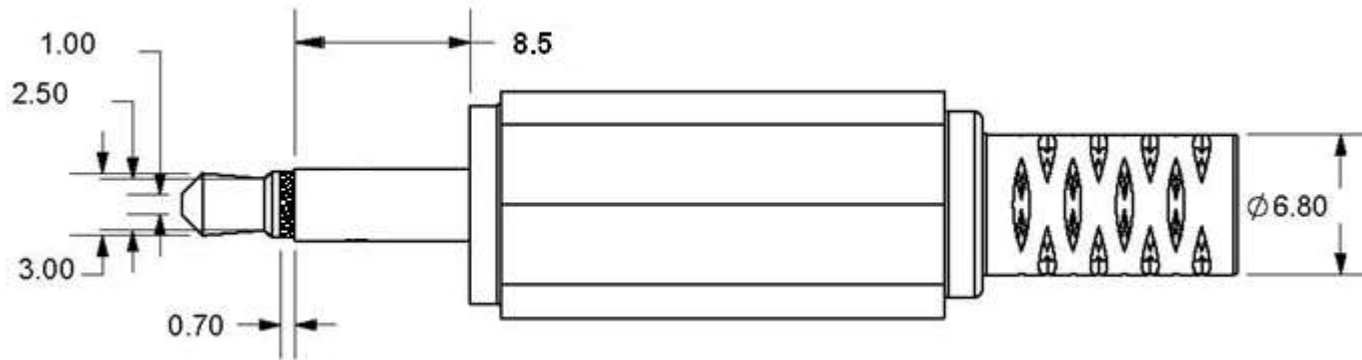




TOLERANCE
 ±0.3mm UNLESS
 OTHERWISE SPECIFIED



Mating Receptacle Options for 202	
1.	202INL - Cable Mount
2.	HTJ-035 - Chassis Mount
3.	SJ 212 - PC Right Angle

PART NO.	202
DATE	12.11.2014
APPROVAL	CB
UNIT	mm
REV	0

PART TITLE	Mono Plug, Male 3.5 x 14mm Length, Octagonal Shell
-------------------	---



CONDOR ELECTRONICS, INC.
 T: 408-745-7141 F: 408-745-0439
 780 Montague Expy. Ste. 406
 San Jose, CA 95131 USA
sales@condorelectronics.net