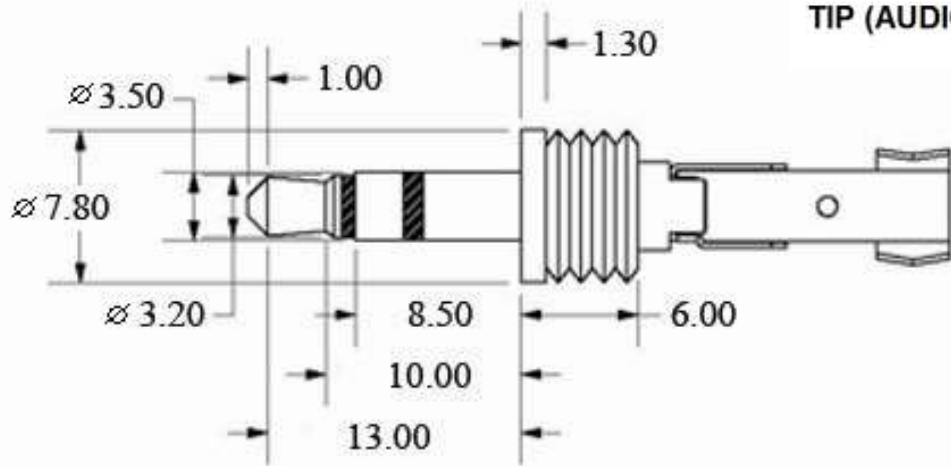
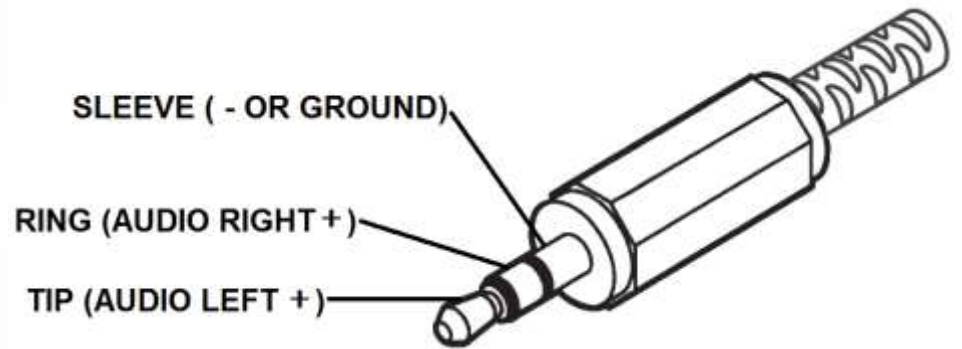
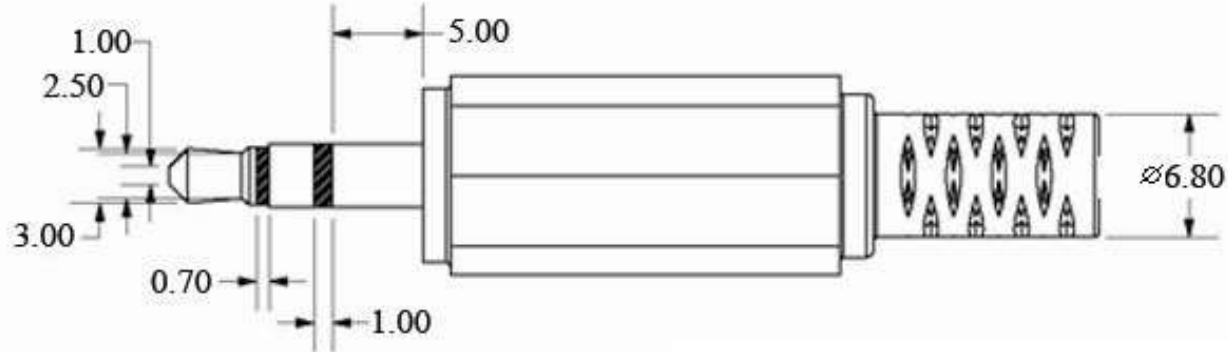




Tolerance is
± .3MM
unless
otherwise
specified.



PART TITLE	Mono Plug, Male 3.5 x 13MM Length (TRS Connector) Stereo Jack Plug, Octagonal Shell
-------------------	---

PART NO.	202STER
DATE	12.11.2014
APPROVAL	CB
UNIT	mm
REV	0

CONDOR ELECTRONICS, INC.
T: 408-745-7141 F: 408-745-0439
780 Montague Expy. Ste. 406
San Jose, CA 95131 USA
sales@condorelectronics.net

Mating Receptacle Options for 202STER
1. 202INL-STER - Cable Mount
2. SJ 212-STER - Chassis Mount