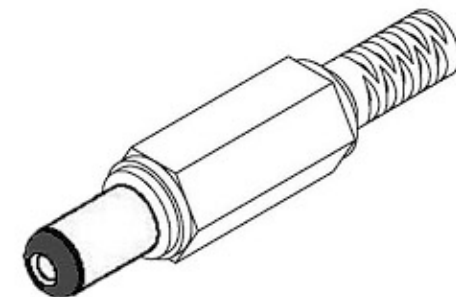
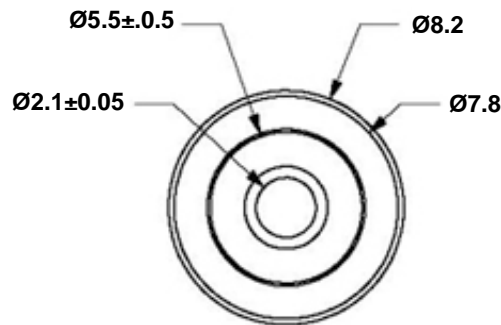
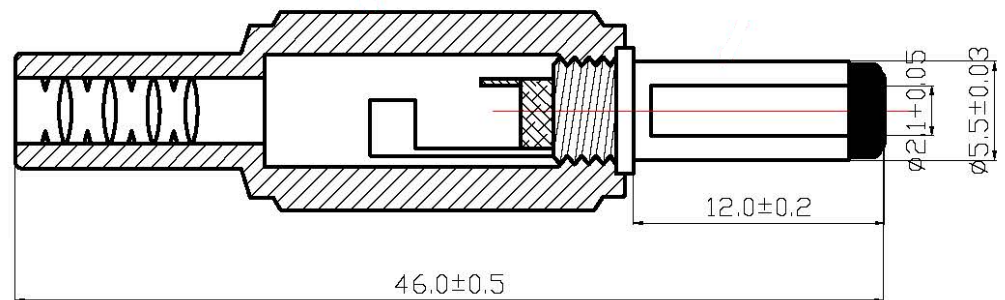
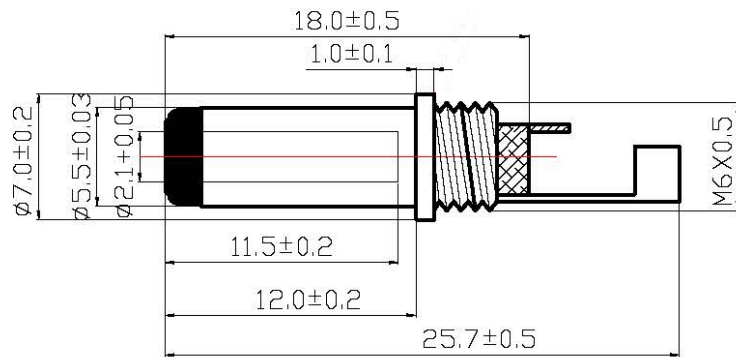


Tolerance is
± .2MM
unless
otherwise
specified.



Mating Receptacle Options for 205-12MM	
1.	205INL - Cable Mount
2.	205INL-XL - Cable Mount
3.	22HP037-2.1PC - PC Mount Right Angle

PART NO.	205-12MM
DATE	12.11.2014
APPROVAL	CB
UNIT	mm
REV	0

PART TITLE	DC Plug, Male 2.1 x 5.5 x 12mm, Octagonal Shell
------------	---



CONDOR ELECTRONICS, INC.
 T: 408-745-7141 F: 408-745-0439
 990 San Antonio Road
 Palo Alto, CA 94303 USA
sales@condorelectronics.net