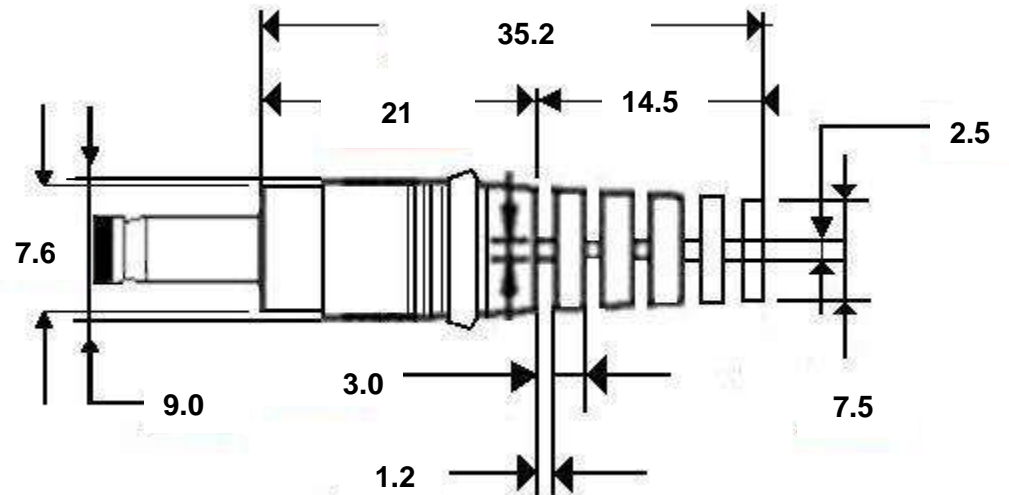
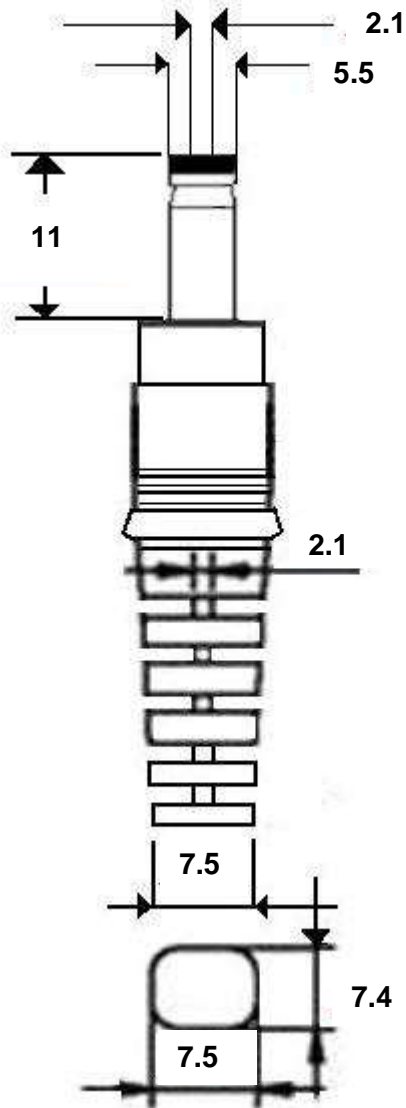




Tolerance is
± .3MM
unless
otherwise
specified.



Mating Receptacle Options for 205DF

1. 205INL - Cable Mount
2. 205INL-XL - Cable Mount
3. 22HP037-2.1PC - PC Mount Right Angle

PART TITLE	DC Plug, Male 2.1 x 5.5 x 11MM Molded with Forked Detent
-------------------	---

PART NO.	205DF Molded
DATE	07.29.2016
APPROVAL	TN
UNIT	mm
REV	1



CONDOR ELECTRONICS, INC.
T: 408-745-7141 F: 408-745-0439
990 San Antonio Road
Palo Alto, CA 94303 USA
sales@condorelectronics.net