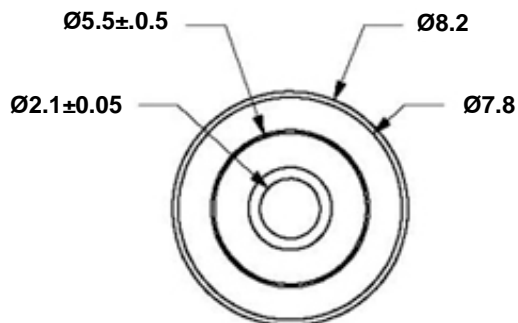
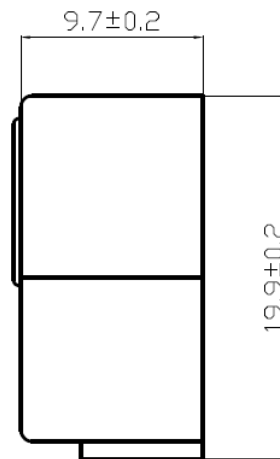
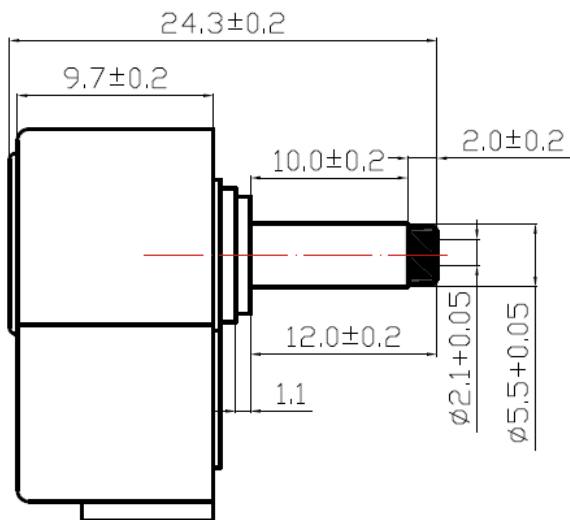
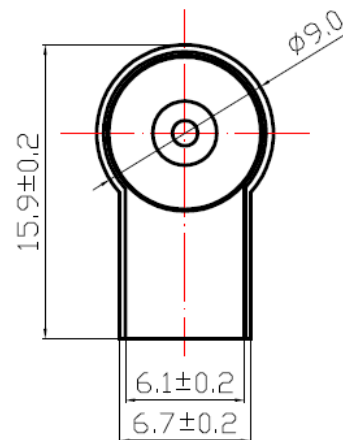
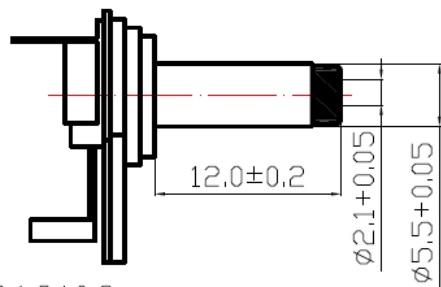
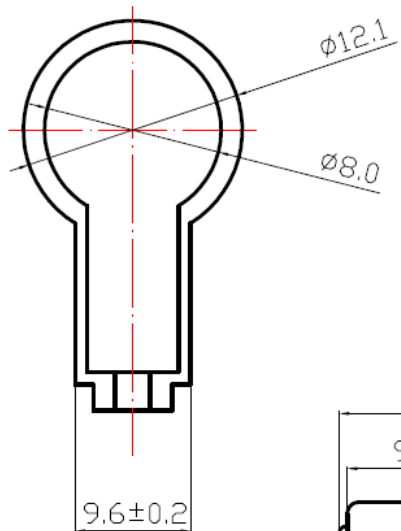




**Tolerance is
± .2MM
unless
otherwise
specified.**



PART TITLE	DC Plug, Male 2.1 x 5.5 x 12mm, Right Angle, Octagonal Shell
-------------------	--------------------------------------------------------------

Mating Receptacle Options for 205RA-12MM

1. 205INL - Cable Mount
2. 205INL-XL - Cable Mount
3. 22HP037-2.1PC - PC Mount Right Angle

PART NO.	205RA-12MM
DATE	04.21.2014
APPROVAL	CB
UNIT	mm
REV	0



CONDOR ELECTRONICS, INC.
 T: 408-745-7141 F: 408-745-0439
 990 San Antonio Road
 Palo Alto, CA 94303 USA
sales@condorelectronics.net