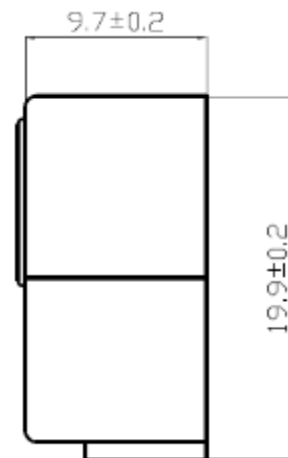
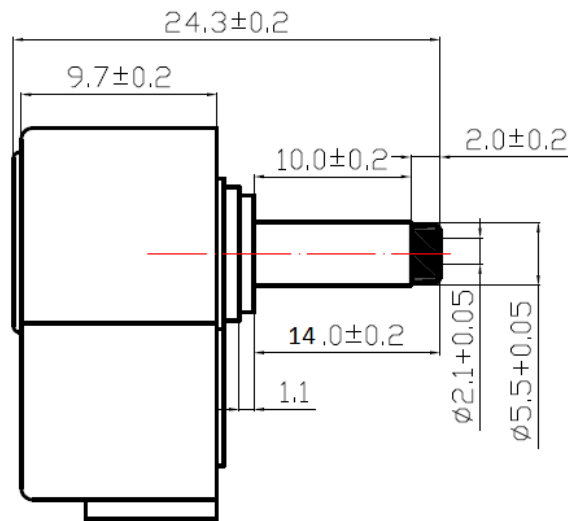
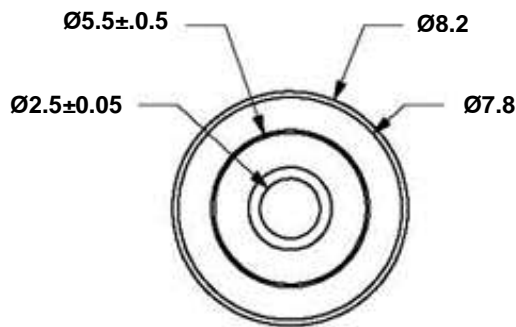
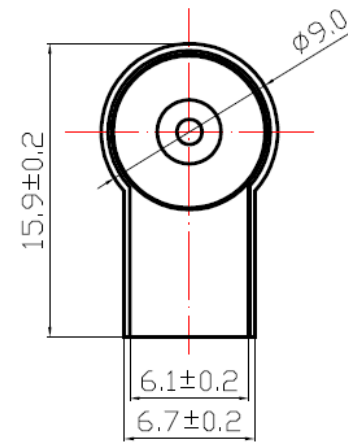
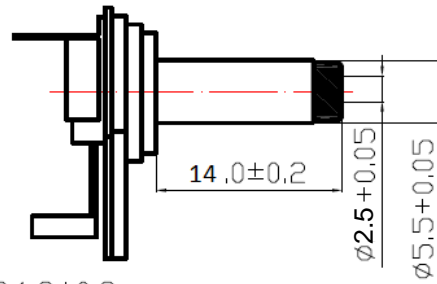
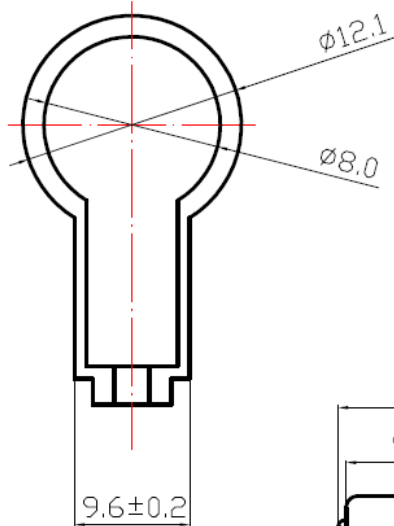




Tolerance is  
± .2MM  
unless  
otherwise  
specified.



Mating Receptacle Options for 206A-RA	
1.	206INL - Cable Mount
2.	206INL-XL - Cable Mount
3.	22HP037-2.5PC - PC Mount Right Angle

<b>PART NO.</b>	206A-RA
<b>DATE</b>	11.02.2015
<b>APPROVAL</b>	CB
<b>UNIT</b>	mm
<b>REV</b>	0

<b>PART TITLE</b>	DC Plug, Male 2.5 x 5.5 x 14mm, Right Angle
-------------------	---



**CONDOR ELECTRONICS, INC.**  
T: 408-745-7141 F: 408-745-0439  
990 San Antonio Road  
Palo Alto, CA 94303 USA  
sales@condorelectronics.net