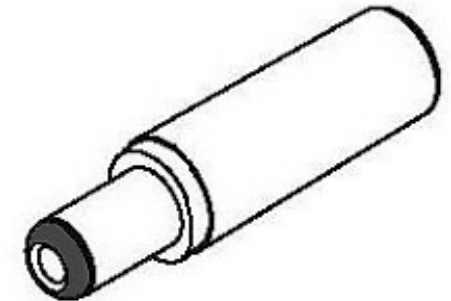
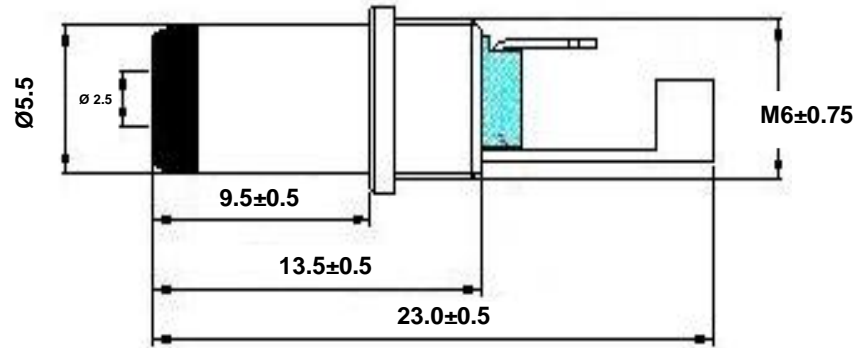
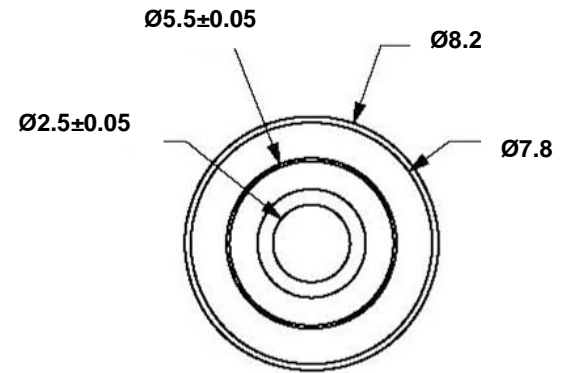
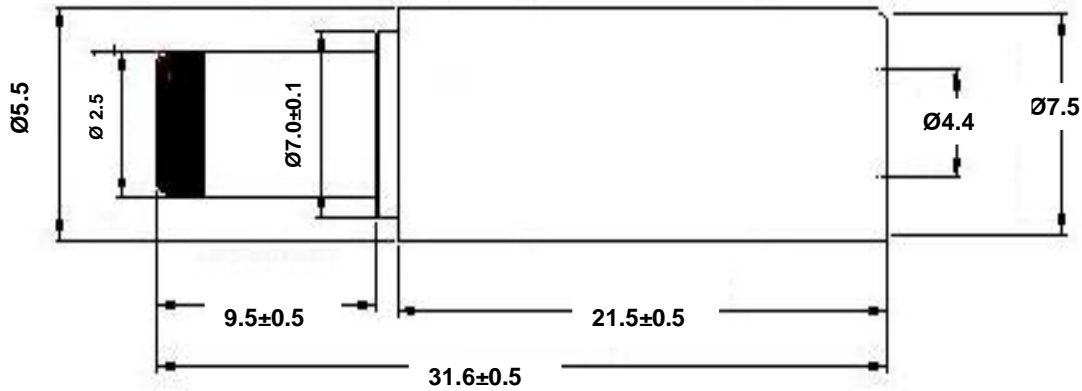




Tolerance is
± .2MM
unless
otherwise
specified.



Mating Receptacle Options for 206HP
1. 206INL - Cable Mount
2. 206INL-XL - Cable Mount
3. 22HP037A-2.5PC - PC Mount Right Angle

PART NO.	206HP
DATE	12.11.2014
APPROVAL	CB
UNIT	mm
REV	0

PART TITLE	DC Plug, Male 2.5 x 5.5 x 9.5MM, Hard Plastic Shell
-------------------	--



CONDOR ELECTRONICS, INC.
T: 408-745-7141 F: 408-745-0439
990 San Antonio Road
Palo Alto, CA 94303 USA
sales@condorelectronics.net