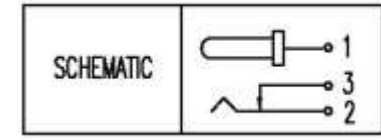
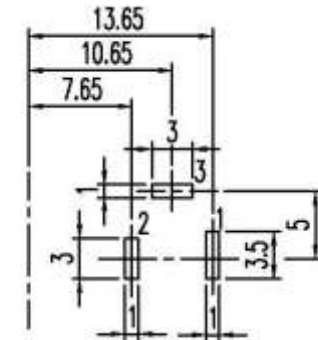
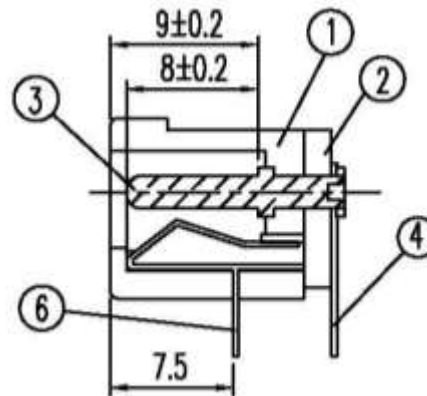
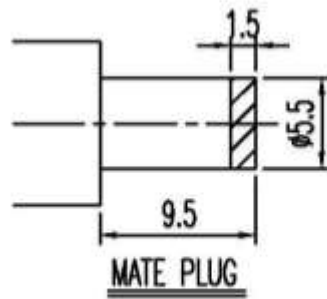


Tolerance is ±.2MM unless otherwise specified.



NO	PART NAME
6	TIP SPRING (2)
5	BREAK TERMINAL (3)
4	TERMINAL (1)
3	PIN
2	COVER
1	HOUSING

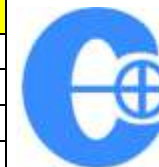


P.C.B Layout Dimension (Tolerance:±0.1)
(Recommend min.Dimension)(bottom view)

Mating Receptacle Options for 22HP037	
1.	ANY 205 Style Plug (2.1 x 5.5mm)

PART NO.	22HP037
DATE	12.11.2014
APPROVAL	CB
UNIT	mm
REV	0

PART TITLE	DC 2.1mm Right angle PC mount receptacle
------------	--



CONDOR ELECTRONICS, INC.
 T: 408-745-7141 F: 408-745-0439
 780 Montague Expy. Ste. 406
 San Jose, CA 95131 USA
sales@condorelectronics.net