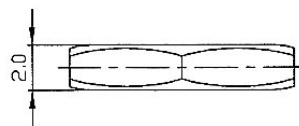
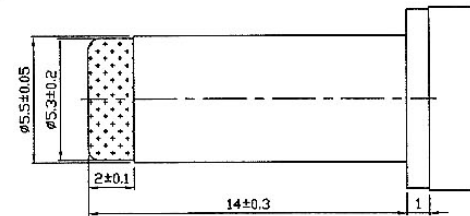
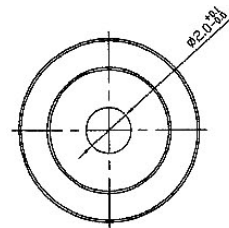
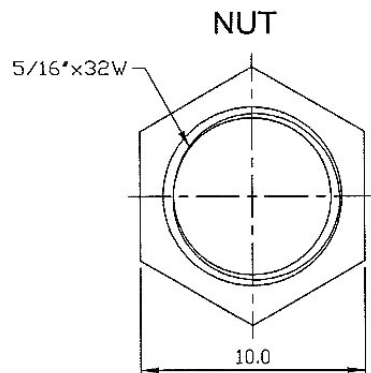
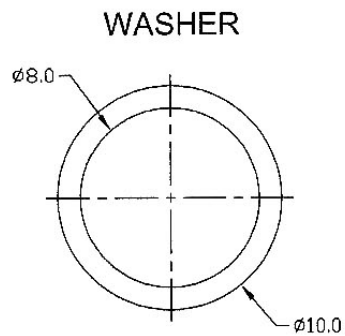
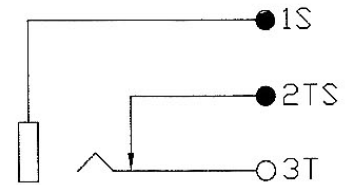
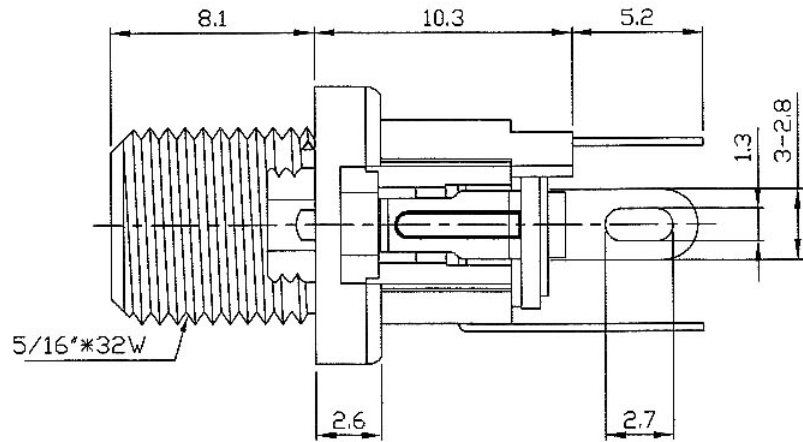
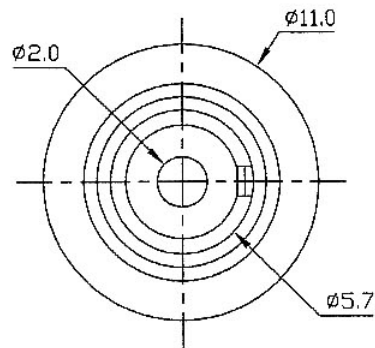




Tolerance is
± .2MM
unless
otherwise
specified.



PART TITLE	DC 2.0mm Chassis mount receptacle
-------------------	-----------------------------------

Mating Receptacle Options for 22HP038

1. S761K PLUG (2.0 x 5.5 x 12mm)

PART NO.	22HP038
DATE	06.11.2018
APPROVAL	WS
UNIT	mm
REV	1



CONDOR ELECTRONICS, INC.
T: 408-745-7141 F: 408-745-0439
990 San Antonio Road
Palo Alto, CA 94303 USA
sales@condorelectronics.net