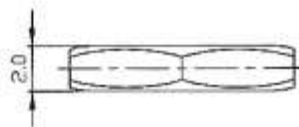
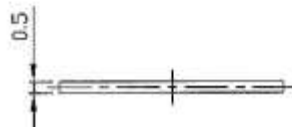
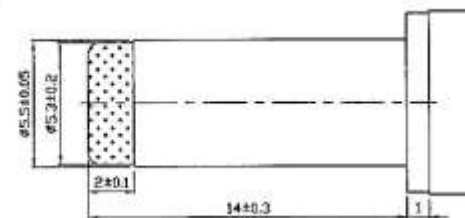
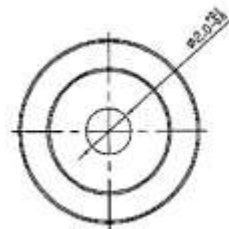
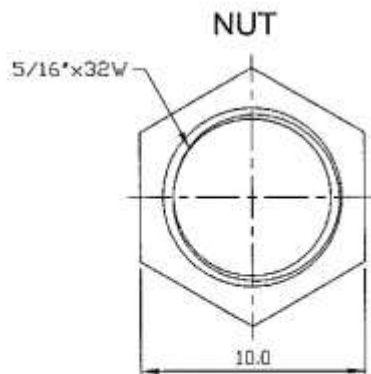
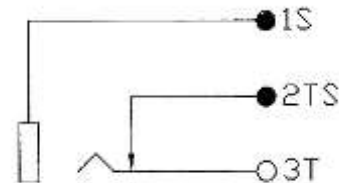
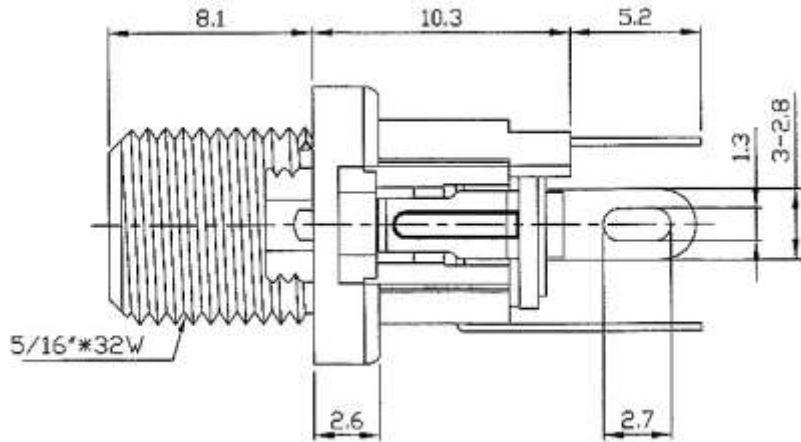
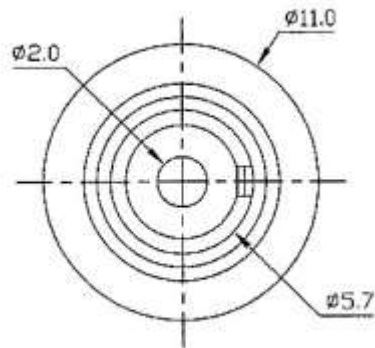




Tolerance is
± .2MM
unless
otherwise
specified.



Mating Receptacle Options for 22HP038

1. S761K PLUG (2.0 x 5.5 x 12mm)

PART TITLE	DC 2.0mm Chassis mount receptacle
-------------------	-----------------------------------

PART NO.	22HP038
DATE	12.11.2014
APPROVAL	CB
UNIT	mm
REV	0



CONDOR ELECTRONICS, INC.
 T: 408-745-7141 F: 408-745-0439
 990 San Antonio Road
 Palo Alto, CA 94303 USA
sales@condorelectronics.net