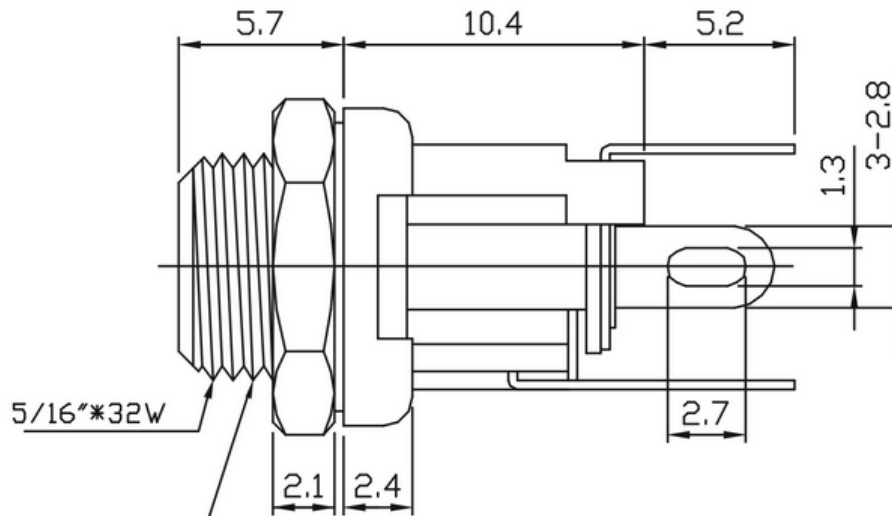
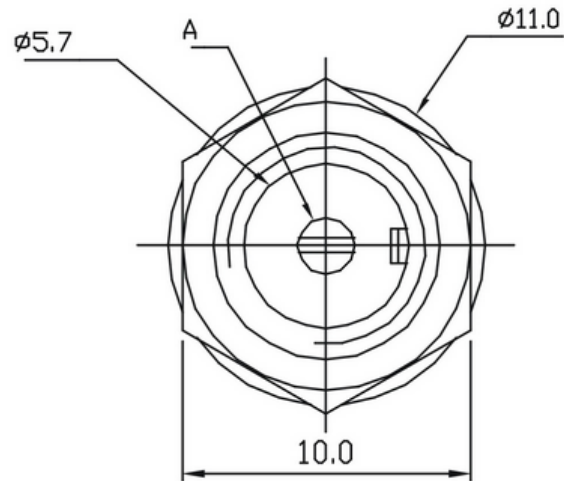
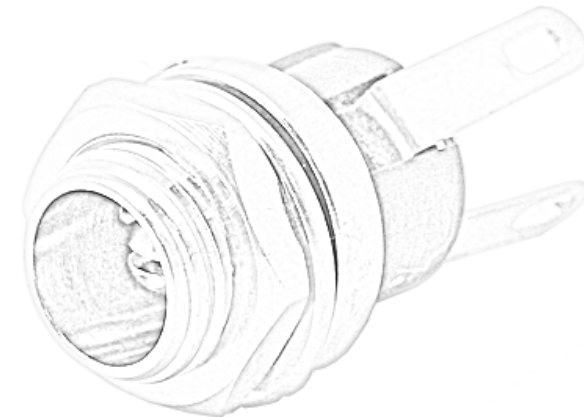




**Tolerance is
± .2MM
unless
otherwise
specified.**



WITH OR WITHOUT THREAD



Rating: 25V / 4A

Operating Temp: -30°C~60°C

Insulation Resistance: 500V ≥ 100M minimum

Withstand Voltage: DC 100V

Contact Resistance: ≤ 2 milli max

Mating Receptacle Options for 22HP038A
1. 760K (2.5 x 5.5 x 9.5mm)

PART NO.	22HP038A
DATE	12.11.2014
APPROVAL	CB
UNIT	mm
REV	0

PART TITLE	DC 2.5mm Chassis mount receptacle
-------------------	--



CONDOR ELECTRONICS, INC.
 T: 408-745-7141 F: 408-745-0439
 990 San Antonio Road
 Palo Alto, CA 94303 USA
 sales@condorelectronics.net