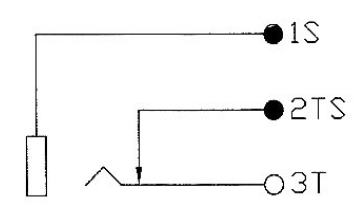
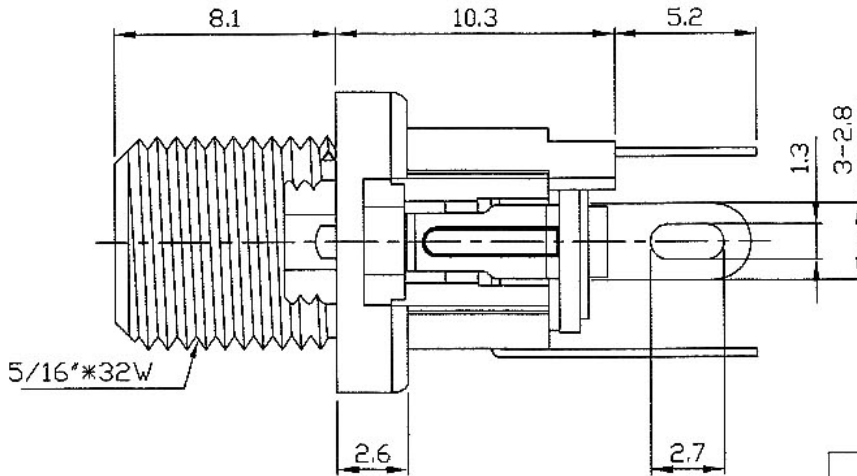
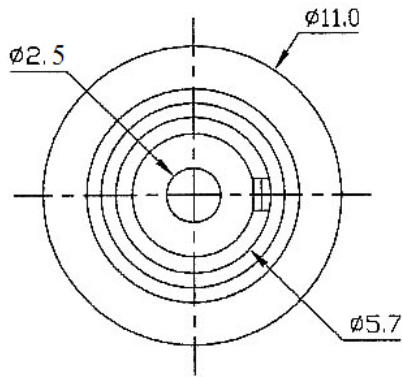
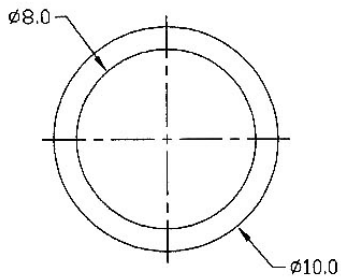




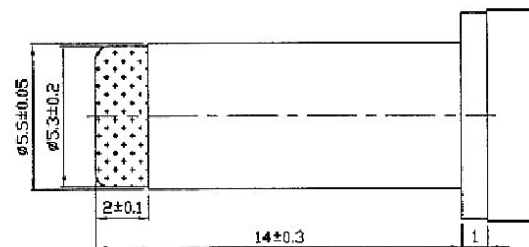
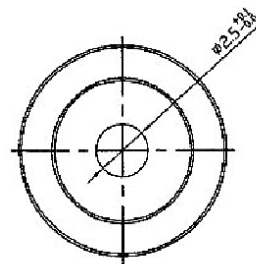
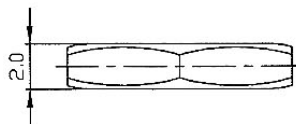
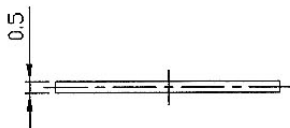
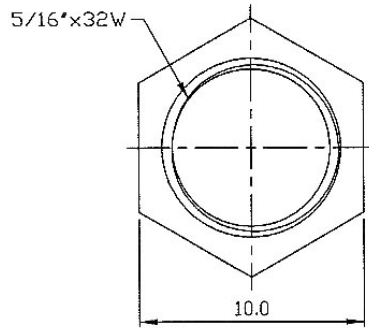
**Tolerance is
± .2MM
unless
otherwise
specified.**



WASHER



NUT



Mating Receptacle Options for 22HP038A	
1.	761K (2.5 x 5.5 x 12mm)

PART NO.	22HP038A
DATE	12.11.2014
APPROVAL	CB
UNIT	mm
REV	0

PART TITLE	DC 2.5mm Chassis mount receptacle
-------------------	------------------------------------------

CONDOR ELECTRONICS, INC.
 T: 408-745-7141 F: 408-745-0439
 990 San Antonio Road
 Palo Alto, CA 94303 USA
 sales@condorelectronics.net