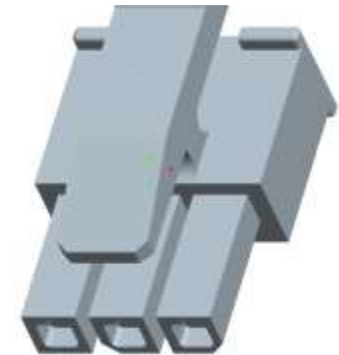
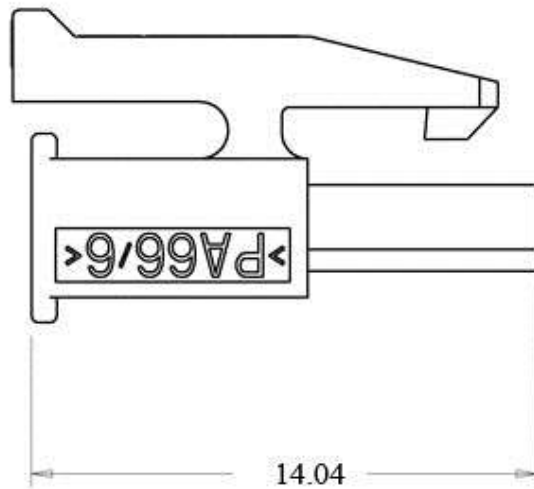


Tolerance is $\pm .13\text{MM}$ unless otherwise specified.



PART TITLE	Amp, 3 Pin, Black Single Row
-------------------	------------------------------

PART NO.	Amp:1445022-3
DATE	12.11.2014
APPROVAL	CB
UNIT	mm
REV	0



CONDOR ELECTRONICS, INC.
 T: 408-745-7141 F: 408-745-0439
 990 San Antonio Road
 Palo Alto, CA 94303 USA
sales@condorelectronics.net