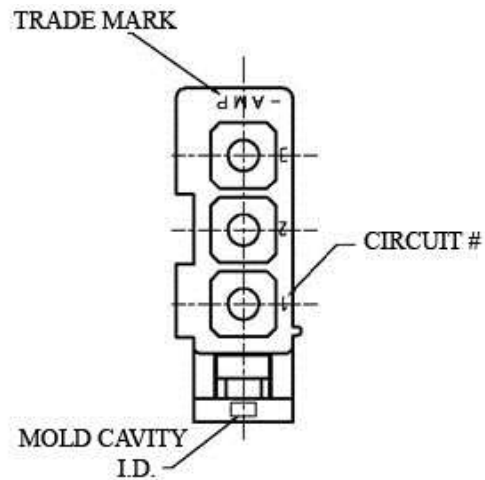
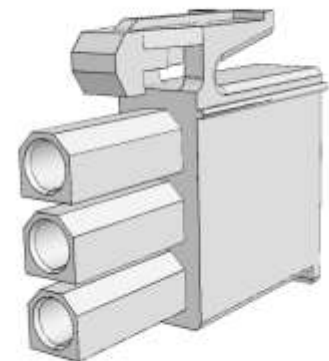
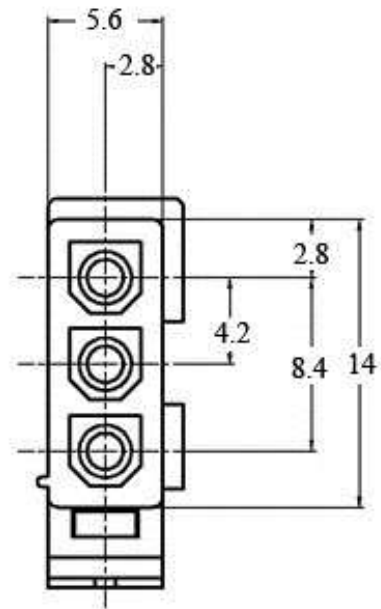
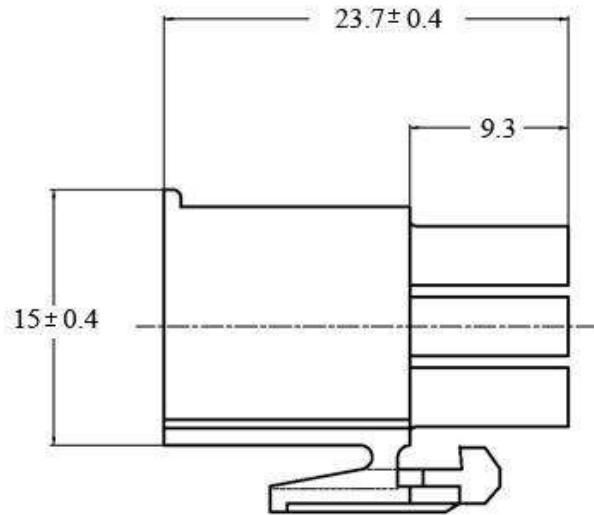




Tolerance is  
± .13MM  
unless  
otherwise  
specified.



<b>PART TITLE</b>	Amp, 3 Pin (Mini) Mate-N-Lock
-------------------	-------------------------------

<b>PART NO.</b>	Amp:172166-1
<b>DATE</b>	12.11.2014
<b>APPROVAL</b>	CB
<b>UNIT</b>	mm
<b>REV</b>	0



**CONDOR ELECTRONICS, INC.**  
T: 408-745-7141 F: 408-745-0439  
780 Montague Expy. Ste. 406  
San Jose, CA 95131 USA  
sales@condorelectronics.net