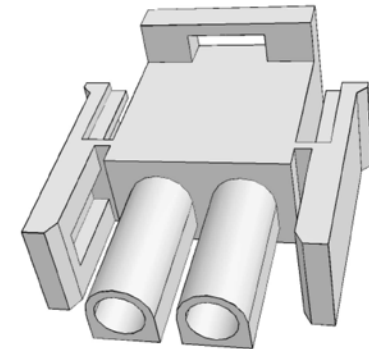
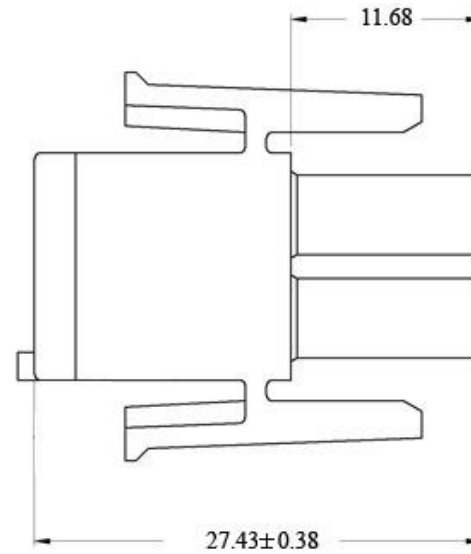
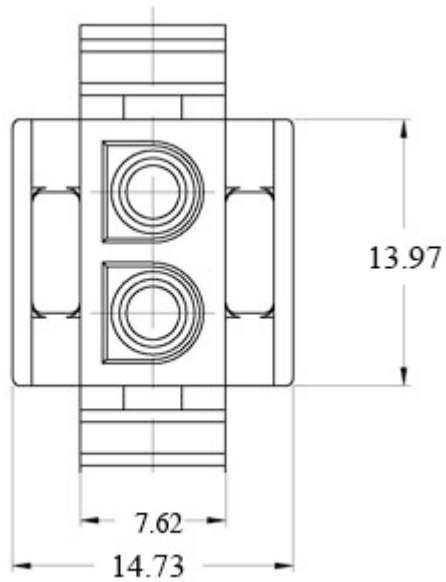




Tolerance is
± .13MM
unless
otherwise
specified.



PART TITLE	Amp, 2 Pin Plug (0.250") Universal Mate-N-Lock
-------------------	---

PART NO.	Amp: 1-480698-0
DATE	12.11.2014
APPROVAL	CB
UNIT	mm
REV	0



CONDOR ELECTRONICS, INC.
T: 408-745-7141 F: 408-745-0439
990 San Antonio Road
Palo Alto, CA 94303 USA
sales@condorelectronics.net