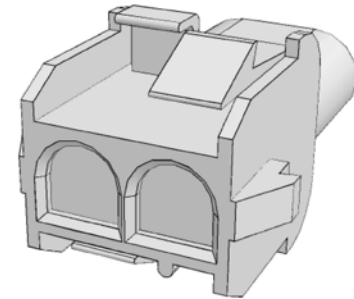
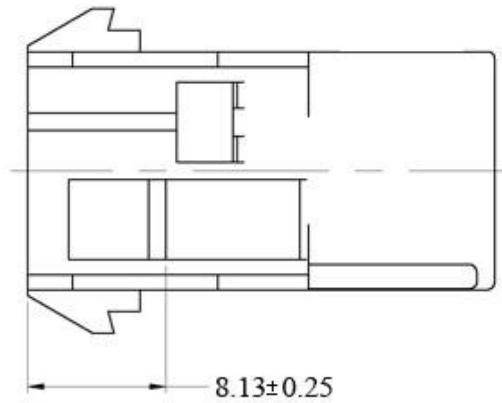
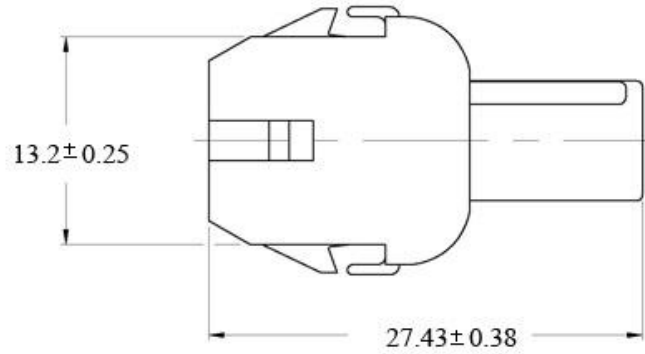
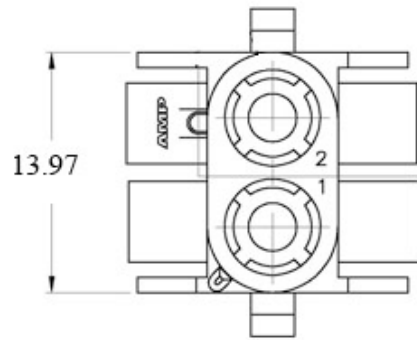




Tolerance is  
 $\pm .13\text{MM}$   
unless  
otherwise  
specified.



<b>PART TITLE</b>	Amp, 2 Pin Cap (0.250") Mate-N-Lock
-------------------	-------------------------------------

<b>PART NO.</b>	Amp:1-480669-0
<b>DATE</b>	12.11.2014
<b>APPROVAL</b>	CB
<b>UNIT</b>	mm
<b>REV</b>	0



**CONDOR ELECTRONICS, INC.**  
T: 408-745-7141 F: 408-745-0439  
990 San Antonio Road  
Palo Alto, CA 94303 USA  
sales@condorelectronics.net