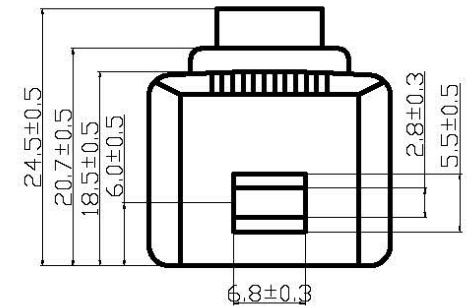
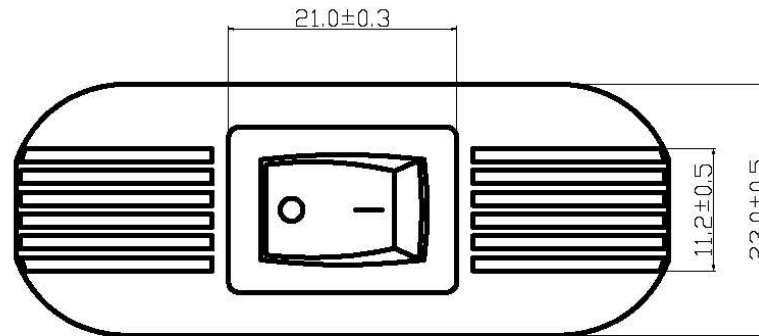
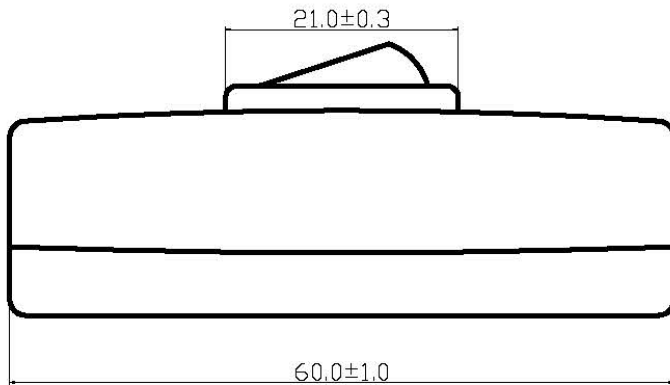




**Tolerance is  
± .3MM  
unless  
otherwise  
specified.**



**CIRCUIT: ON-OFF**

**RATING: 10A 125VAC, 6A 250VAC**

**CONTACT RESISTANCE: 30m OHMS MAX**

**INSULATION RESISTANCE: DC 500V 100m OHMS MIN**

**WITHSTAND VOLTAGE: AC 1500V 1 MIN**

**OPERATION FORCE: 0.3-0.8KG**

**OPERATION LIFE: 10,000 CYCLES AT FULL LOAD**

**OPERATION TEMP: -25°C ~ +105°C**

|                   |   |
|-------------------|---|
| <b>PART TITLE</b> | <b>Inline On/Off Rocker Switch - Assembly</b> |
|-------------------|---|

|                 |                      |
|-----------------|----------------------|
| <b>PART NO.</b> | <b>Inline Switch</b> |
| <b>DATE</b>     | <b>12.11.2014</b>    |
| <b>APPROVAL</b> | <b>CB</b>            |
| <b>UNIT</b>     | <b>mm</b>            |
| <b>REV</b>      | <b>0</b>             |



**CONDOR ELECTRONICS, INC.**  
 T: 408-745-7141 F: 408-745-0439  
 990 San Antonio Road  
 Palo Alto, CA 94303 USA  
[sales@condorelectronics.net](mailto:sales@condorelectronics.net)