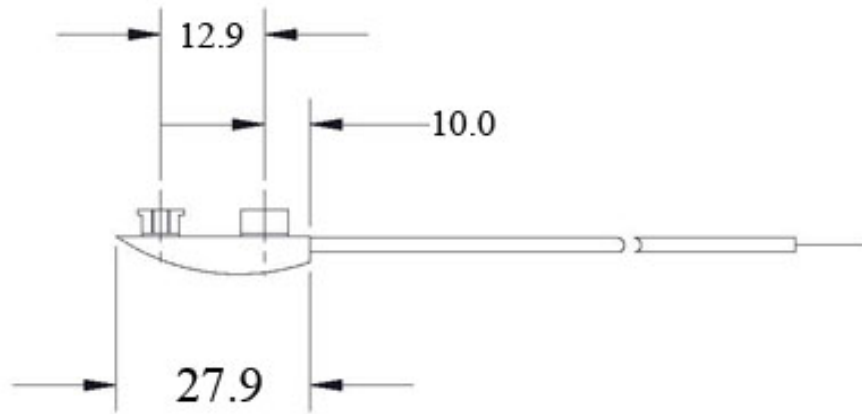
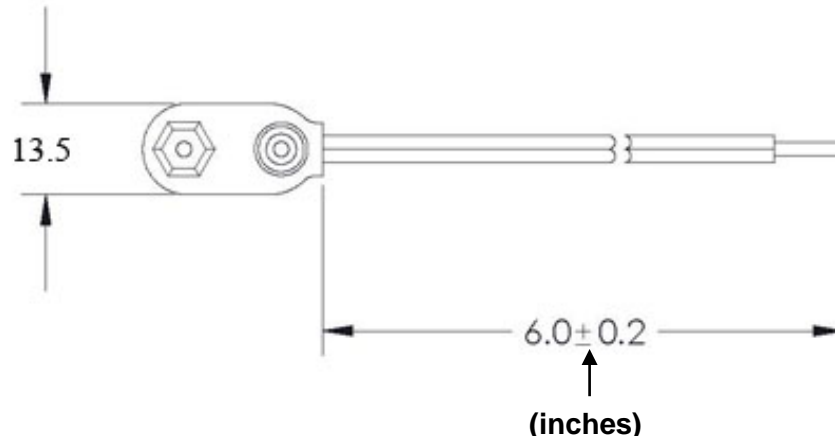




**Tolerance is  
± .3MM  
unless  
otherwise  
specified.**



<b>PART TITLE</b>	<b>Battery Clip (Mold Available W/ Minimum Order)</b>
-------------------	---

<b>PART NO.</b>	<b>Battery Clip</b>
<b>DATE</b>	<b>12.11.2014</b>
<b>APPROVAL</b>	<b>CB</b>
<b>UNIT</b>	<b>mm</b>
<b>REV</b>	<b>0</b>



**CONDOR ELECTRONICS, INC.**  
 T: 408-745-7141 F: 408-745-0439  
 990 San Antonio Road  
 Palo Alto, CA 94303 USA  
[sales@condorelectronics.net](mailto:sales@condorelectronics.net)