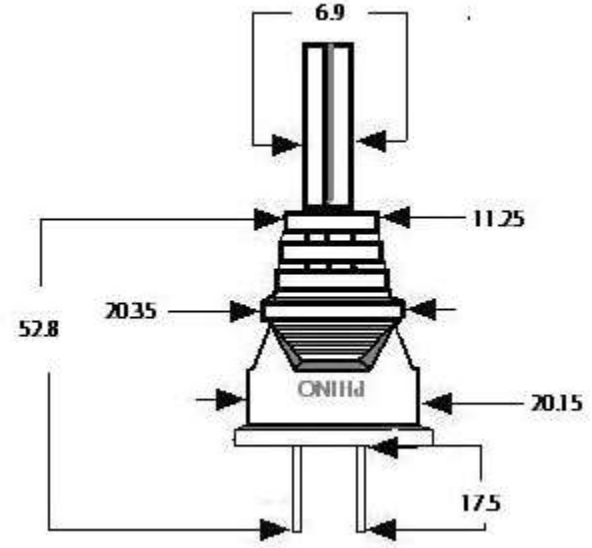
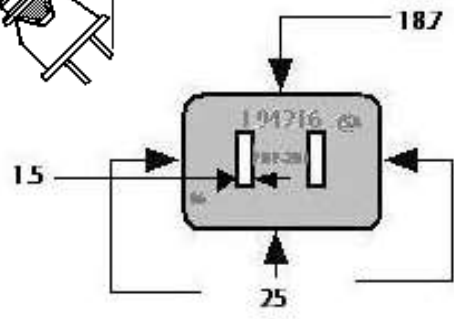
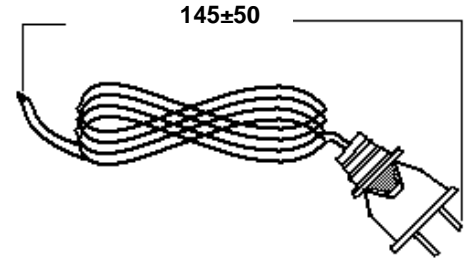
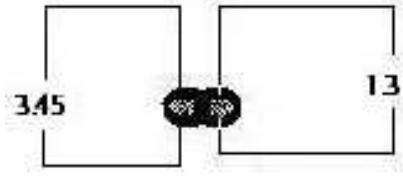


Tolerance is  
± .5MM  
unless  
otherwise  
specified.



**GENERAL SPECIFICATIONS**

- PLUG: NEMA 1-15P
- END: BLUNT CUT, NO STRAIN RELIEF
- LENGTH: 6FT ± 2IN
- WIRE TYPE: SPT-2, 2C X 18AWG, 105°C, VW-1
- JACKET: BLACK
- APPROVALS:

<b>PART TITLE</b>	SINGLE ENDED 6FT 18AWG LINE CORD WITH NEMA 1-15P NORTH AMERICAN PLUG
-------------------	--

<b>PART NO.</b>	CA-USN-6FT-18AWG-BC
<b>DATE</b>	1.7.2015
<b>APPROVAL</b>	CB
<b>UNIT</b>	mm
<b>REV</b>	0

**CONDOR ELECTRONICS, INC.**  
 T: 408-745-7141 F: 408-745-0439  
 780 Montague Expy. Ste. 406  
 San Jose, CA 95131 USA  
 sales@condorelectronics.net