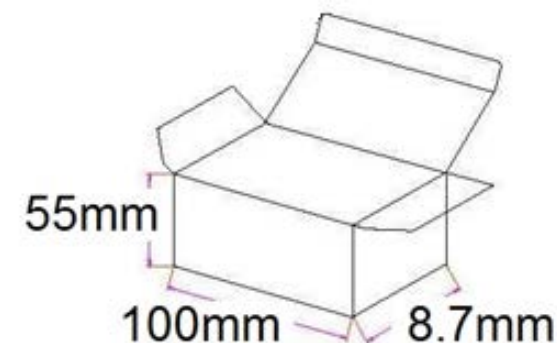



Output Plug and Polarity are Dependent on Customer Requirements

Inner Box Dimensions



General Specifications

- Input: 12~24VDC with 2.5mm inline jack (230mm)
- Output: +5.4VDC/0~2500mA Regulated
- DC Cord: Total 368MM, 20AWG
- Operating/Storage Temperature: 0°C ~+40°C/ -10°C~+55°C
- Operating Humidity: 30%~95%RH
- Approvals: E-MARK
- Unit Weight: 0.30 lbs
- Carton Quantity: 50 pcs

<i>ITEM NO.</i>	CC-5V4-2A5	<i>PART TITLE</i>	Energy Efficient 5.4 VDC / 2.5A DC – DC Converter
<i>PART NO.</i>	CC-5V42A5	 CONDOR ELECTRONICS, INC. T: 408-745-7141 F: 408-745-0439 780 Montague Expy. Ste. 406 San Jose, CA 95131 USA sales@condorelectronics.net	
<i>DATE</i>	1.06.2016		
<i>APPROVAL</i>	CB		
<i>UNIT</i>	mm		
<i>REV</i>	0		