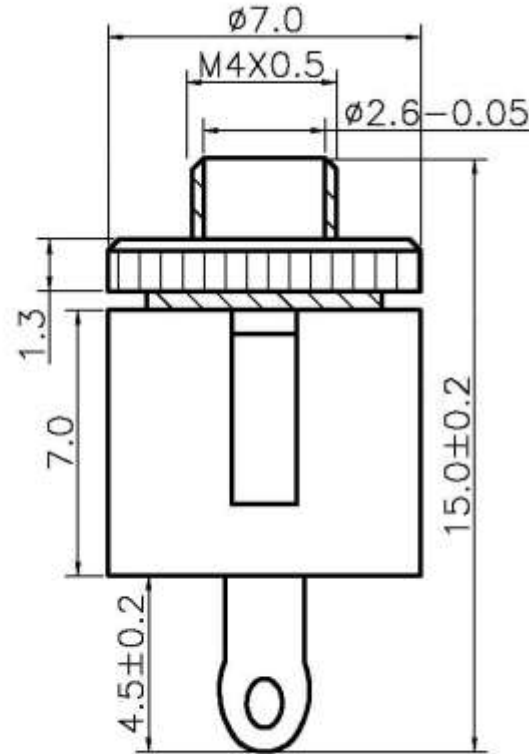
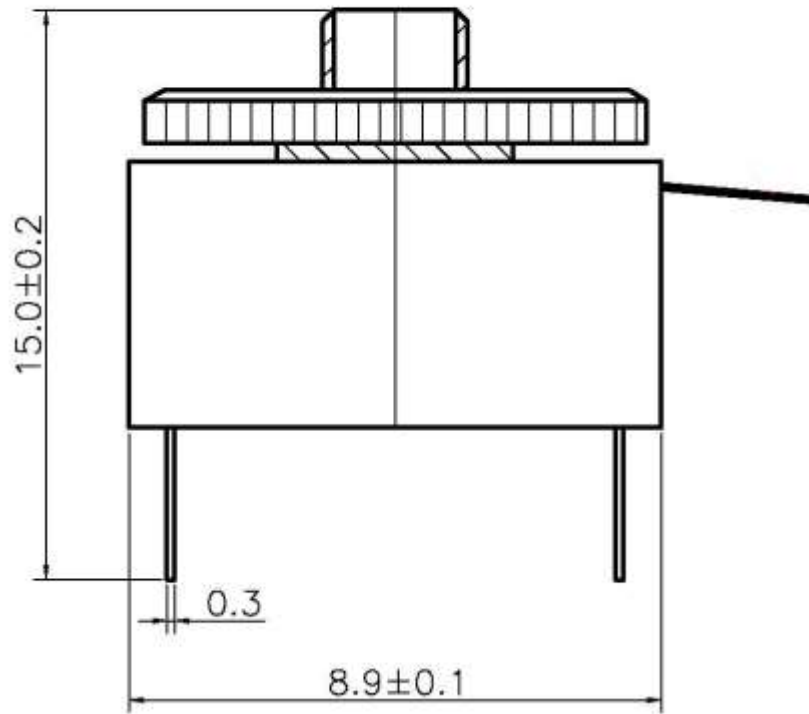




Tolerance is
± .2MM
unless
otherwise
specified.



Mating Receptacle Options for HTJ-025

- 1. ANY 201 STYLE PLUG (2.5mm)

PART NO.	HTJ-025
DATE	12.11.2014
APPROVAL	CB
UNIT	mm
REV	0

PART TITLE	DC 2.5mm Male Chassis Mount Receptacle
-------------------	---



CONDOR ELECTRONICS, INC.
 T: 408-745-7141 F: 408-745-0439
 990 San Antonio Road
 Palo Alto, CA 94303 USA
 sales@condorelectronics.net