

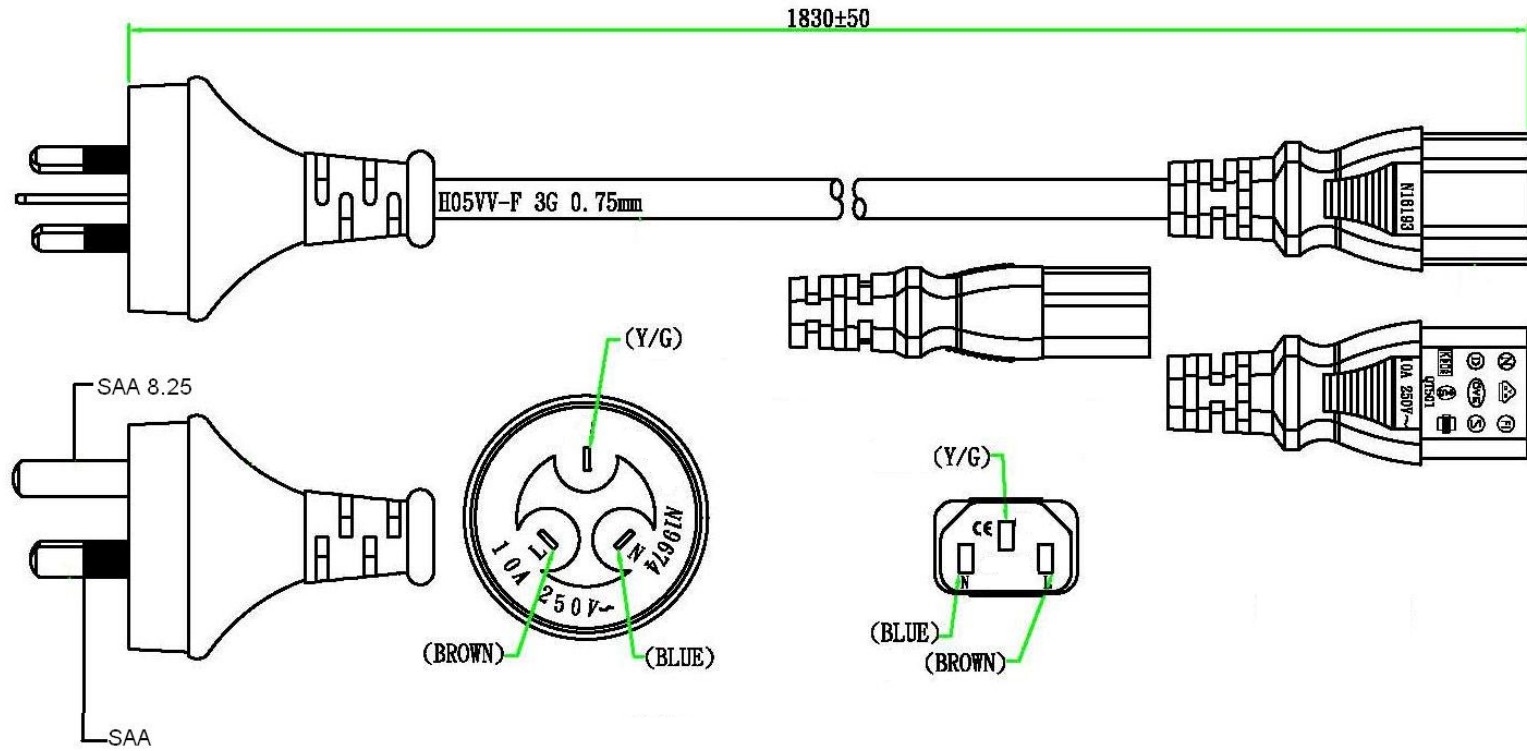
**GENERAL SPECIFICATIONS**

- PLUG: AS/NZS 3112, INSULATED PINS
- OUTLET: IEC-60320-C13
- ★ • LENGTH: 1M±50
- WIRE TYPE: H05VV- F 3G 0.75mm<sup>2</sup>
- JACKET: BLACK
- RATING: 10A/250V
- APPROVALS:

<b>PART TITLE</b>	Australian Power Cord (3 conductor) RoHS
-------------------	---

<b>PART NO.</b>	IEC-AUS CORDSET-1M
<b>DATE</b>	3.20.2015
<b>APPROVAL</b>	CB
<b>UNIT</b>	mm
<b>REV</b>	0

**CONDOR ELECTRONICS, INC.**  
 T: 408-745-7141 F: 408-745-0439  
 780 Montague Expy. Ste. 406  
 San Jose, CA 95131 USA  
[sales@condorelectronics.net](mailto:sales@condorelectronics.net)



**GENERAL SPECIFICATIONS**

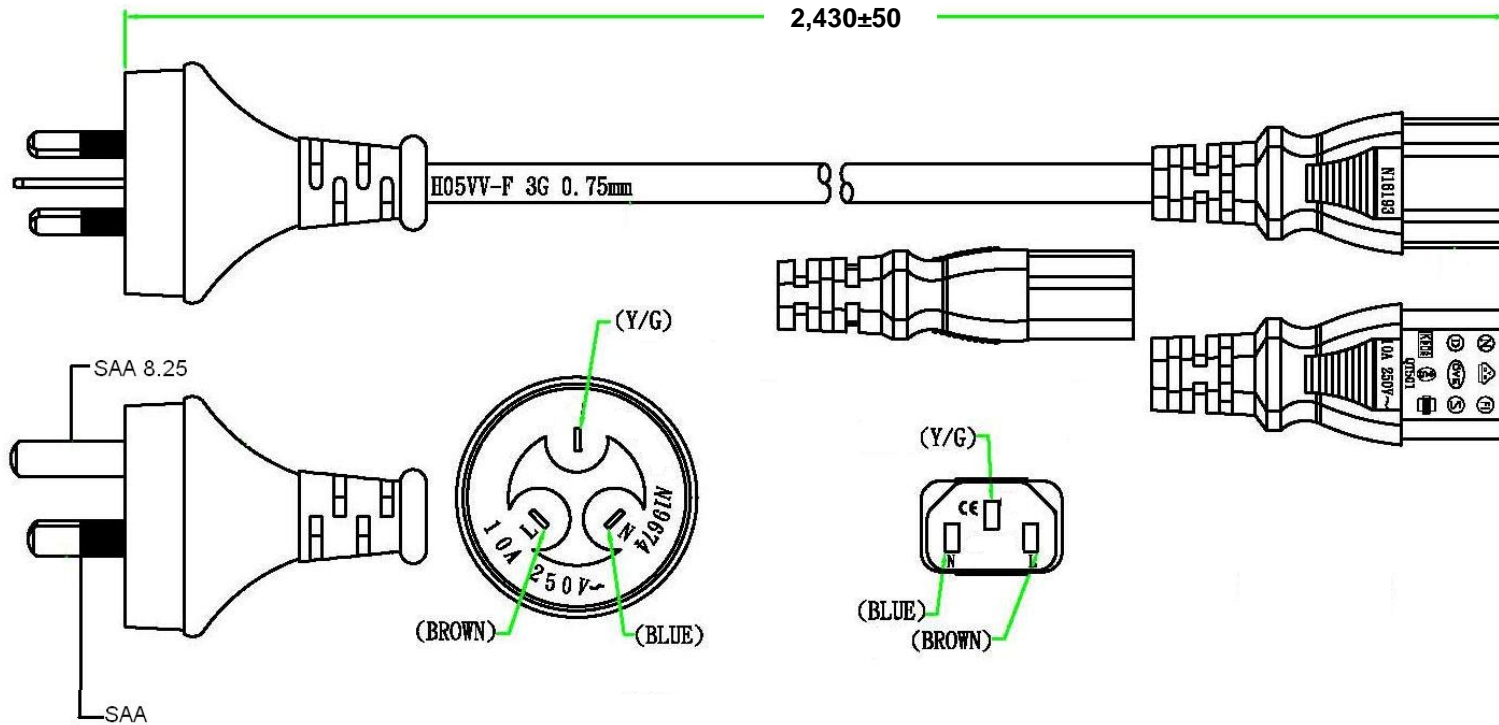
- PLUG: AS/NZS 3112, INSULATED PINS
- OUTLET: IEC-60320-C13
- ★ • LENGTH: 6FT±50
- WIRE TYPE: H05VV- F 3G 0.75mm<sup>2</sup>
- JACKET: BLACK
- RATING: 10A/250V
- APPROVALS:

<b>PART TITLE</b>	Australian Power Cord (3 conductor) RoHS
-------------------	---

<b>PART NO.</b>	IEC-AUS CORDSET-6FT
<b>DATE</b>	1.7.2015
<b>APPROVAL</b>	CB
<b>UNIT</b>	mm
<b>REV</b>	0



**CONDOR ELECTRONICS, INC.**  
 T: 408-745-7141 F: 408-745-0439  
 780 Montague Expy. Ste. 406  
 San Jose, CA 95131 USA  
[sales@condorelectronics.net](mailto:sales@condorelectronics.net)




**GENERAL SPECIFICATIONS**

- PLUG: AS/NZS 3112, INSULATED PINS
- OUTLET: IEC-60320-C13
- ★ LENGTH: 8FT±50
- WIRE TYPE: H05VV- F 3G 0.75mm<sup>2</sup>
- JACKET: BLACK
- RATING: 10A/250V
- APPROVALS:

<b>PART TITLE</b>	Australian Power Cord (3 conductor) RoHS
-------------------	---

<b>PART NO.</b>	IEC-AUS CORDSET-8FT
<b>DATE</b>	1.7.2015
<b>APPROVAL</b>	CB
<b>UNIT</b>	mm
<b>REV</b>	0



**CONDOR ELECTRONICS, INC.**  
 T: 408-745-7141 F: 408-745-0439  
 780 Montague Expy. Ste. 406  
 San Jose, CA 95131 USA  
[sales@condorelectronics.net](mailto:sales@condorelectronics.net)