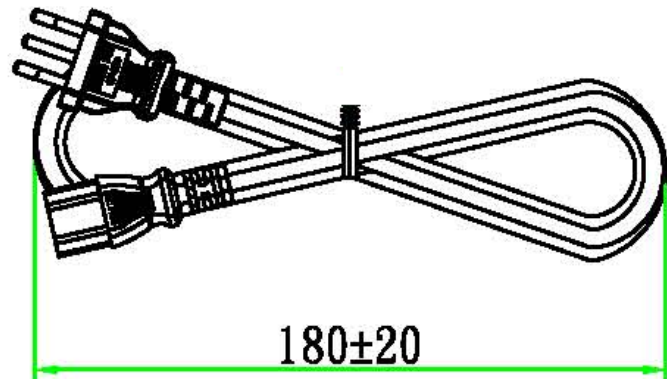


GENERAL SPECIFICATIONS

- PLUG: CEI 23-50
- OUTLET: IEC-60320-C13
- LENGTH: 2.5 METERS
- WIRE TYPE: H05VV-F 3G 1.0²MM
- JACKET: BLACK
- RATING: 10A/250V
- APPROVALS:



PART TITLE	Italian Power Cord (3 Conductor) RoHS, 2.5 METERS
-------------------	--

PART NO.	IEC-ITY CORDSET-2.5M- 1.0
DATE	1.7.2015
APPROVAL	CB
UNIT	mm
REV	0



CONDOR ELECTRONICS, INC.
 T: 408-745-7141 F: 408-745-0439
 990 San Antonio Road
 Palo Alto, CA 94303 USA
 sales@condorelectronics.net