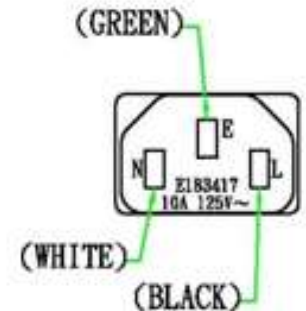


IEC-60320-C14



IEC-60320-C13

GENERAL SPECIFICATIONS

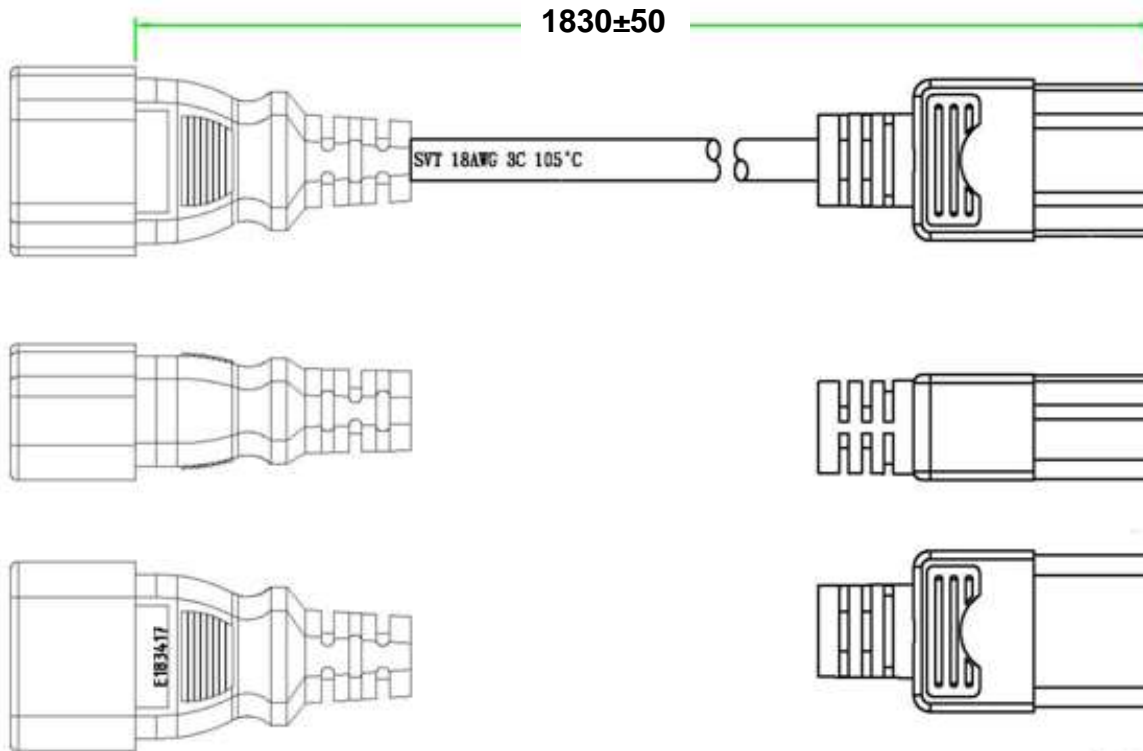
- PLUG: IEC-60320-C14
- OUTLET: IEC-60320-C13
- LENGTH: 2FT± 50
- WIRE TYPE: SVT 18AWG 3C 105°C
- JACKET: BLACK
- RATING: 10A/125V
- APPROVALS:

PART TITLE	EXTENSION CORD- IEC TYPE (3 CONDUCTOR) ROHS
-------------------	--

PART NO.	IEC-MIEC CORDSET-2FT
DATE	1.7.2015
APPROVAL	CB
UNIT	mm
REV	0

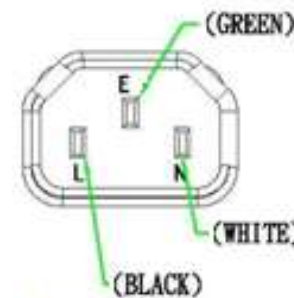
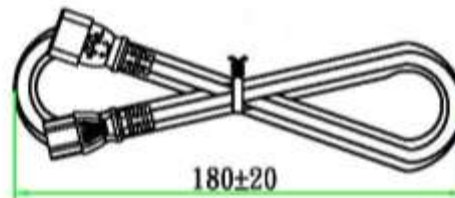


CONDOR ELECTRONICS, INC.
 T: 408-745-7141 F: 408-745-0439
 990 San Antonio Road
 Palo Alto, CA 94303 USA
sales@condorelectronics.net

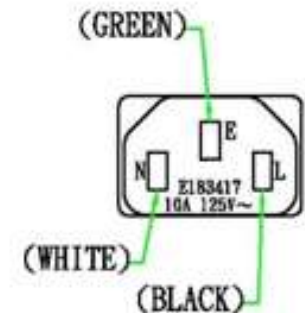


GENERAL SPECIFICATIONS

- PLUG: IEC-60320-C14
- OUTLET: IEC-60320-C13
- LENGTH: 6FT
- WIRE TYPE: SVT 18AWG 3C 105°C
- JACKET: BLACK
- RATING: 10A/125V
- APPROVALS:



IEC-60320-C14



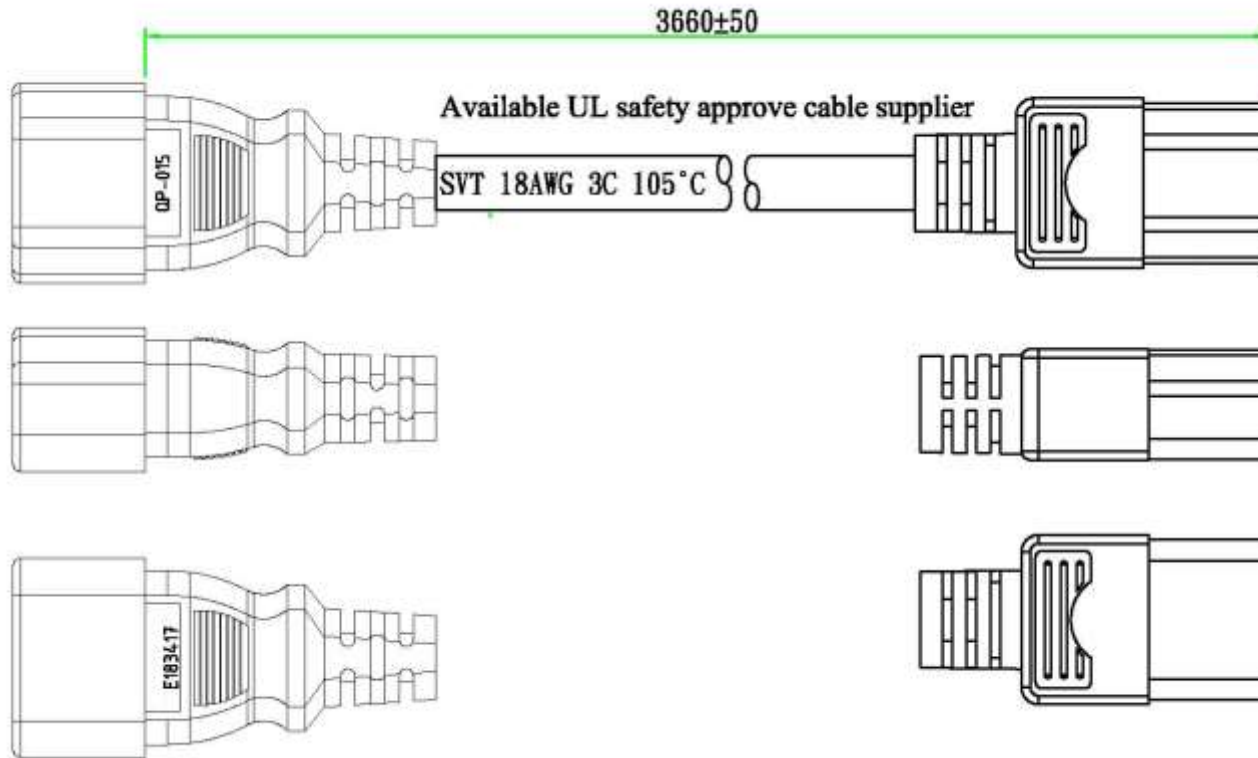
IEC-60320-C13

PART TITLE	EXTENSION CORD- IEC TYPE (3 CONDUCTOR) ROHS
-------------------	--

PART NO.	IEC-MIEC CORDSET-6FT
DATE	1.7.2015
APPROVAL	CB
UNIT	mm
REV	0

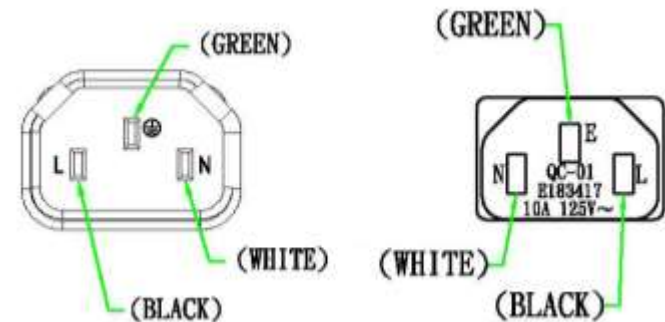
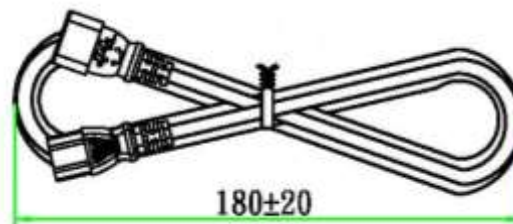


CONDOR ELECTRONICS, INC.
 T: 408-745-7141 F: 408-745-0439
 990 San Antonio Road
 Palo Alto, CA 94303 USA
sales@condorelectronics.net



GENERAL SPECIFICATIONS

- PLUG: IEC-60320-C14
- OUTLET: IEC-60320-C13
- LENGTH: 12FT± 50
- WIRE TYPE: SVT 18AWG 3C 105°C
- JACKET: BLACK
- RATING: 10A/125V
- APPROVALS:



PART TITLE	EXTENSION CORD- IEC TYPE (3 CONDUCTOR) ROHS
-------------------	--

PART NO.	IEC-MIEC CORDSET-12FT
DATE	1.7.2015
APPROVAL	CB
UNIT	mm
REV	0



CONDOR ELECTRONICS, INC.
 T: 408-745-7141 F: 408-745-0439
 990 San Antonio Road
 Palo Alto, CA 94303 USA
sales@condorelectronics.net