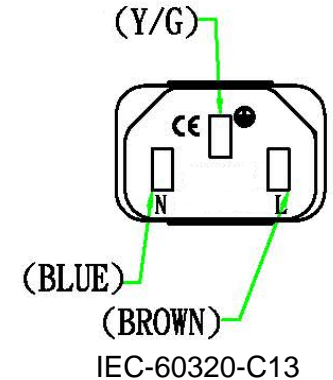
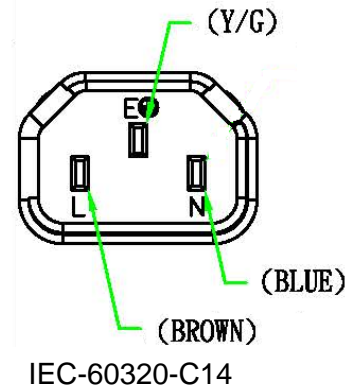


GENERAL SPECIFICATIONS

- PLUG: IEC-60320-C14
- OUTLET: IEC-60320-C13
- LENGTH: 6FT± 50
- WIRE TYPE: H05VV-F 3X 1.0MM INTERNATIONAL COLOR CODE
- JACKET: BLACK
- RATING: 10A/250V
- APPROVALS:



PART TITLE	EXTENSION CORD - IEC TYPE (3 CONDUCTOR) ROHS
-------------------	---

PART NO.	IEC-MIEC CORDSET-ICC
DATE	1.7.2015
APPROVAL	CB
UNIT	mm
REV	0



CONDOR ELECTRONICS, INC.
 T: 408-745-7141 F: 408-745-0439
 990 San Antonio Road
 Palo Alto, CA 94303 USA
sales@condorelectronics.net