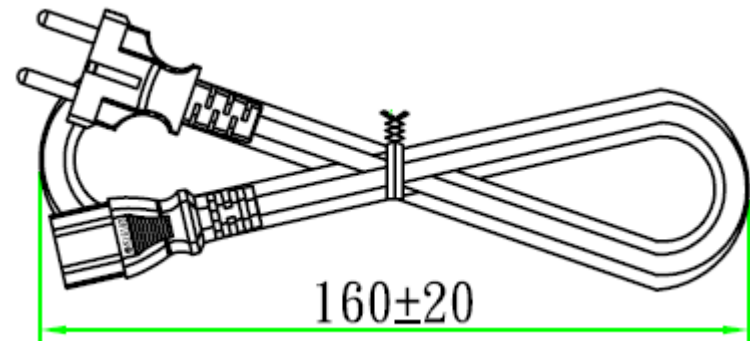


GENERAL SPECIFICATIONS

- PLUG: CEE 7-7
- OUTLET: IEC-60320-C13
- ★ • LENGTH: 1M ± 50
- WIRE TYPE: H05VV-F 3G 0.75 MM²
- JACKET: BLACK
- RATING: 16A/250V
- APPROVALS:



PART TITLE	Schuko Power Cord (3 conductor with C13) RoHS
-------------------	---

PART NO.	IEC-SCHUKO CORDSET-1M
DATE	3.24.2015
APPROVAL	CB
UNIT	mm
REV	0



CONDOR ELECTRONICS, INC.
 T: 408-745-7141 F: 408-745-0439
 990 San Antonio Road
 Palo Alto, CA 94303 USA
 sales@condorelectronics.net



1830±50

4.8 ± .6

H05VV-F 3G 0.75mm²

(Y/G)

(BLUE)

(BROWN)

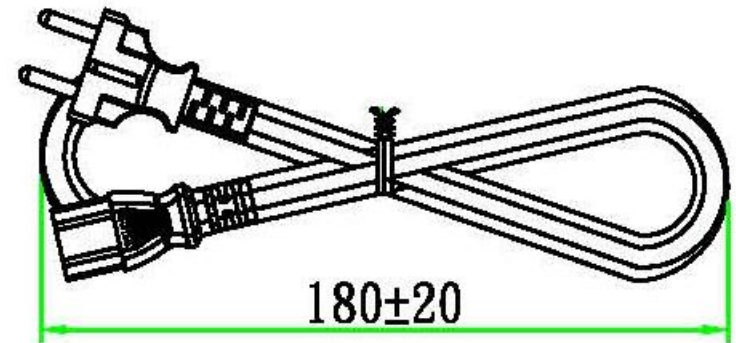
E(Y/G)

L(BROWN)

N (BLUE)

GENERAL SPECIFICATIONS

- PLUG: CEE 7-7
- OUTLET: IEC-60320-C13
- ★ • LENGTH: 6FT ± 2IN
- WIRE TYPE: H05VV-F 3G 0.75 MM²
- JACKET: BLACK
- RATING: 16A/250V
- APPROVALS:



180±20

PART TITLE	Schuko Power Cord (3 conductor with C13) RoHS
-------------------	---

PART NO.	IEC-SCHUKO CORDSET
DATE	3.24.2015
APPROVAL	CB
UNIT	mm
REV	0



CONDOR ELECTRONICS, INC.
 T: 408-745-7141 F: 408-745-0439
 990 San Antonio Road
 Palo Alto, CA 94303 USA
 sales@condorelectronics.net