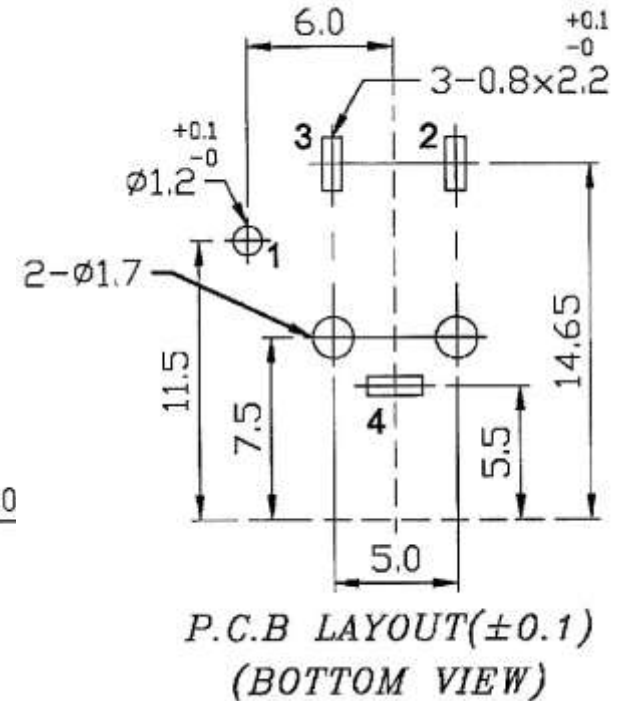
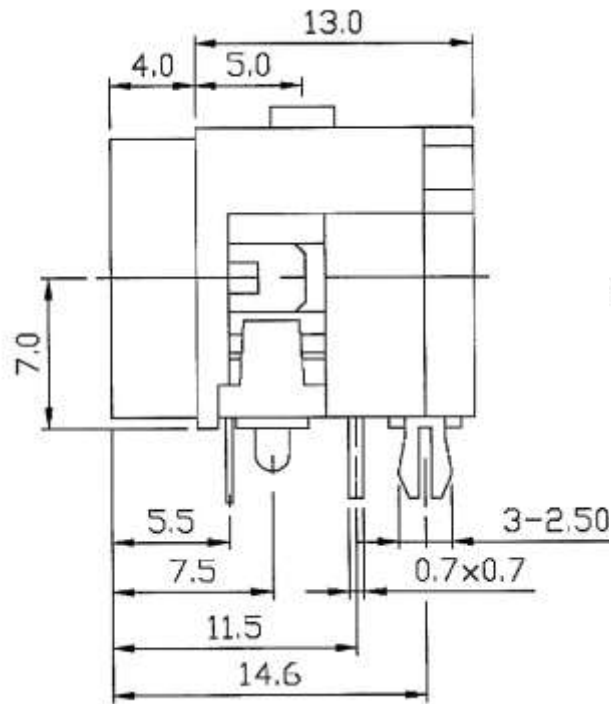
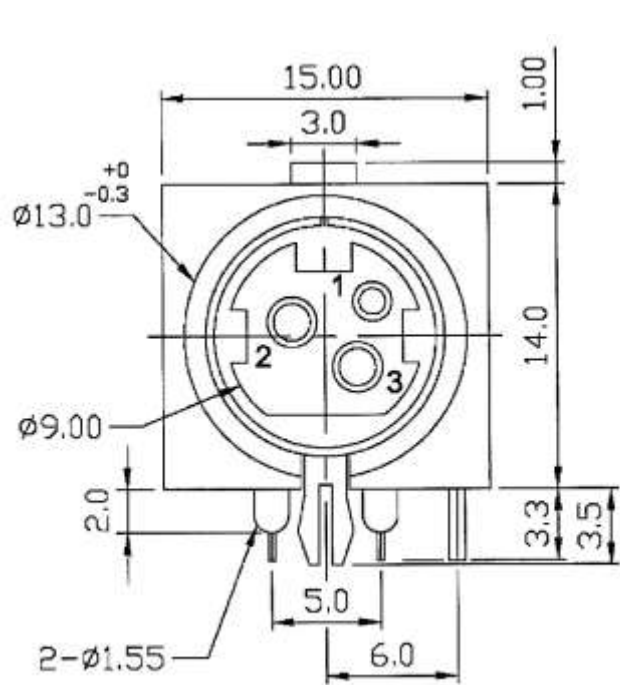




Tolerance is
± .2MM
unless
otherwise
specified.

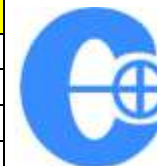


Mating Receptacle Options for KPJX-3S

- 1. KPPX-3P PLUG (3Pin Locking Plug)

PART NO.	KPJX-3S
DATE	12.11.2014
APPROVAL	CB
UNIT	mm
REV	0

PART TITLE	DC 3 Pin Right angle PC mount receptacle
-------------------	---



CONDOR ELECTRONICS, INC.
T: 408-745-7141 F: 408-745-0439
780 Montague Expy. Ste. 406
San Jose, CA 95131 USA
sales@condorelectronics.net