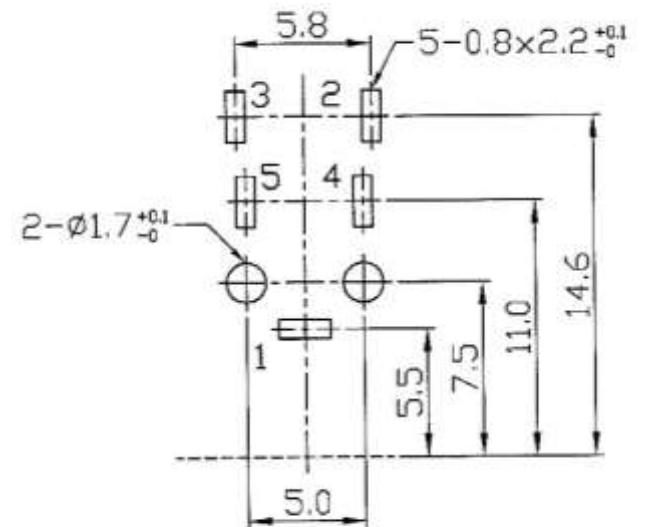
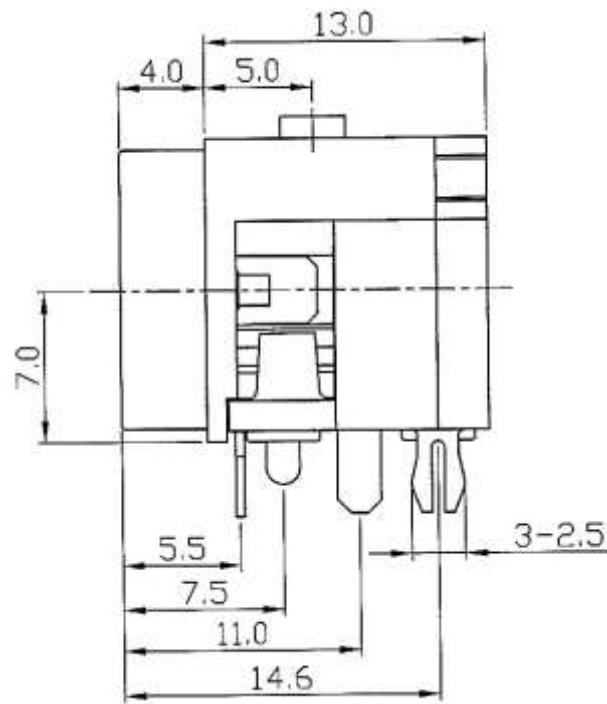
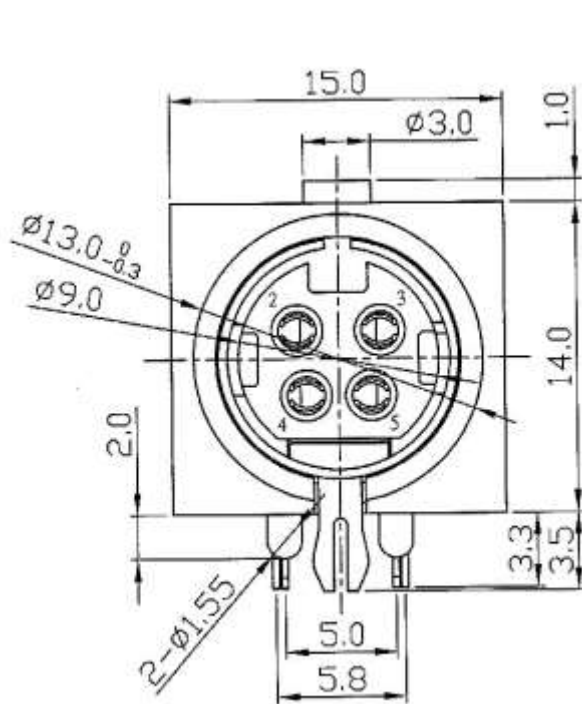




Tolerance is
± .2MM
unless
otherwise
specified.



P.C.B LAYOUT(±0.1)
(BOTTOM VIEW)

Mating Receptacle Options for KPJX-4S

- 1. KPPX-4P PLUG (4Pin Locking Plug)

PART TITLE	DC 4 Pin Right angle PC mount receptacle
-------------------	--

PART NO.	KPJX-4S
DATE	12.11.2014
APPROVAL	CB
UNIT	mm
REV	0



CONDOR ELECTRONICS, INC.
T: 408-745-7141 F: 408-745-0439
990 San Antonio Road
Palo Alto, CA 94303 USA
sales@condorelectronics.net