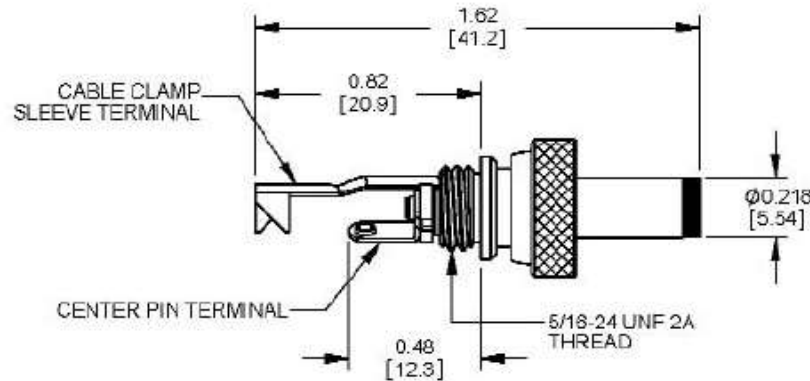
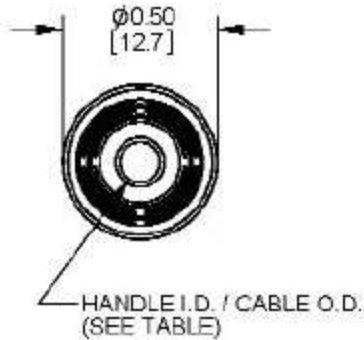


Tolerance is  $\pm .3\text{MM}$  unless otherwise specified.



**PLUG SIZE: 2.5 x 5.5 x 11MM**

**RATING: 150VAC, 5A 65°C**

**APPROVALS: ROHS**

**OUTDOOR WEATHER RESISTANT CONNECTION**

**MORE SIZES AVAILABLE WITH SPECIAL BUILD**

<b>PART TITLE</b>	DC Locking Plug 2.5 x 5.5 x 11mm
-------------------	----------------------------------

<b>PART NO.</b>	761KS17
<b>DATE</b>	03.20.2017
<b>APPROVAL</b>	WES
<b>UNIT</b>	mm
<b>REV</b>	1



**CONDOR ELECTRONICS, INC.**  
 T: 408-745-7141 F: 408-745-0439  
 990 San Antonio Road  
 Palo Alto, CA 94303 USA  
 sales@condorelectronics.net