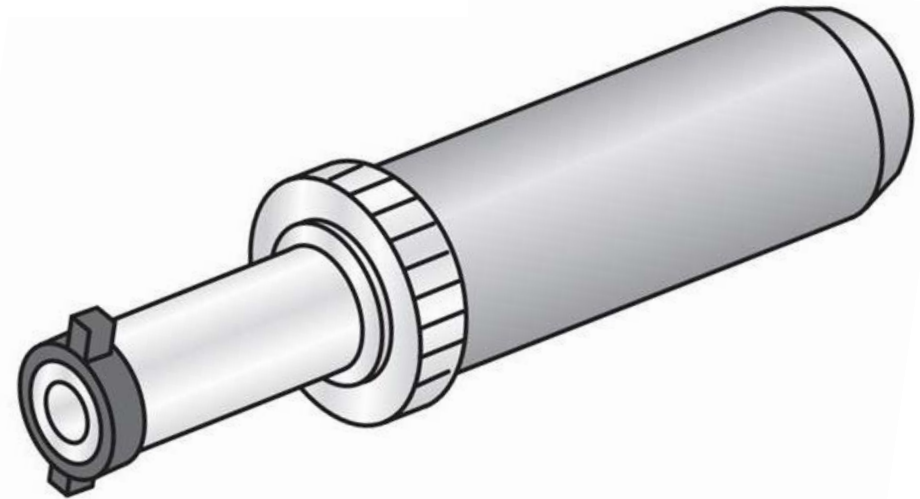


Tolerance is
 $\pm .3\text{MM}$
unless
otherwise
specified.

PLUG SIZE: 2.1 x 5.5 x 11MM

RATING: 150VAC, 5A

APPROVALS: ROHS



PART TITLE	DC Locking Plug 2.1 x 5.5 x 11mm, Hard Plastic Shell
-------------------	---

PART NO.	S760BK
DATE	12.11.2014
APPROVAL	CB
UNIT	mm
REV	0



CONDOR ELECTRONICS, INC.
T: 408-745-7141 F: 408-745-0439
990 San Antonio Road
Palo Alto, CA 94303 USA
sales@condorelectronics.net