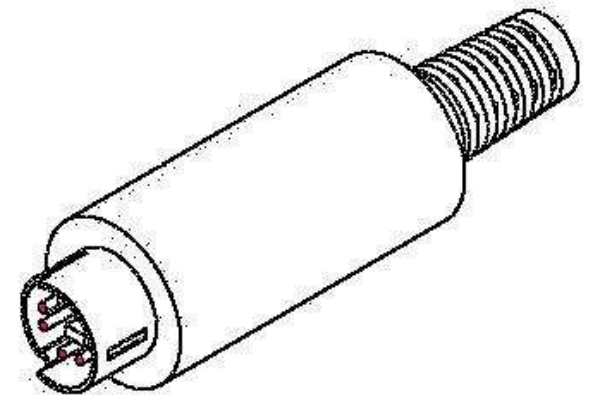
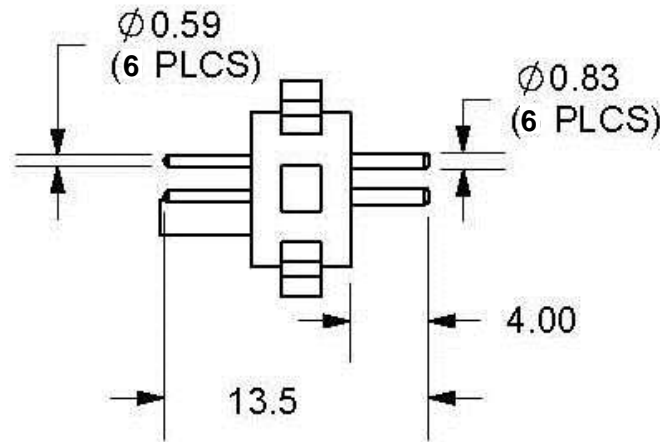
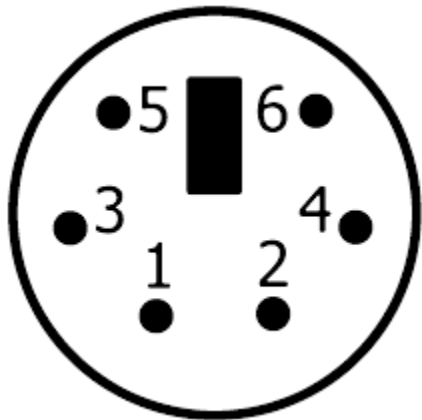
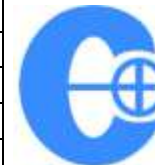


PIN DETAILS



PART TITLE	Male 6 Pin Mini-Din
-------------------	---------------------

PART NO.	6MDIN
DATE	12.11.2014
APPROVAL	CB
UNIT	mm
REV	0



CONDOR ELECTRONICS, INC.
 T: 408-745-7141 F: 408-745-0439
 780 Montague Expy. Ste. 406
 San Jose, CA 95131 USA
sales@condorelectronics.net