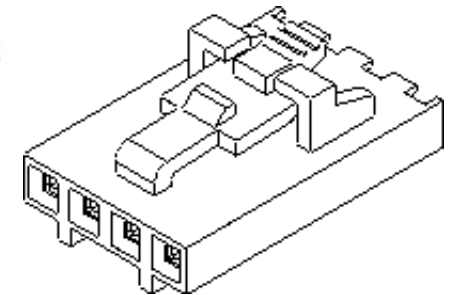
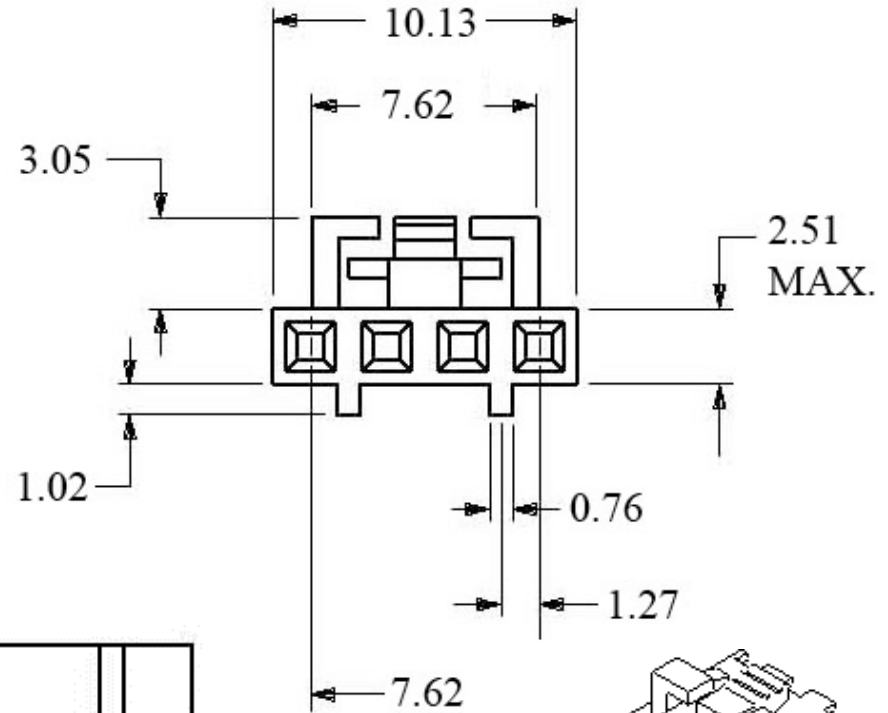
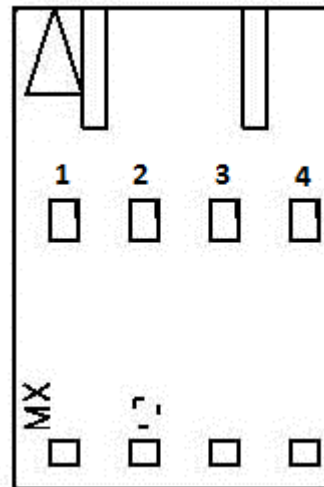
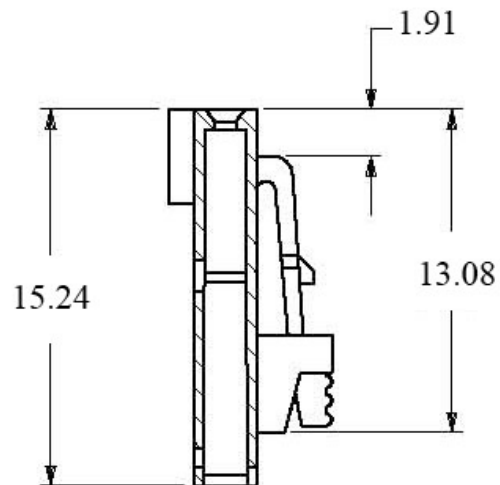
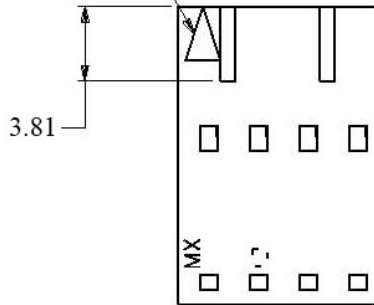




CIRCUIT NO. 1
I.D.



PART TITLE	Molex, 4 Pin Crip Series, 0.030" Center
-------------------	--

PART NO.	Mo1:50-57-9404
DATE	12.11.2014
APPROVAL	CB
UNIT	mm
REV	0



CONDOR ELECTRONICS, INC.
 T: 408-745-7141 F: 408-745-0439
 990 San Antonio Road
 Palo Alto, CA 94303 USA
sales@condorelectronics.net