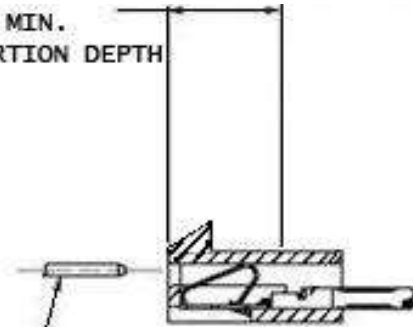
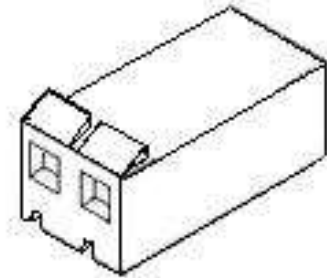
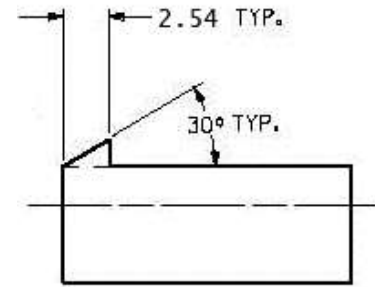
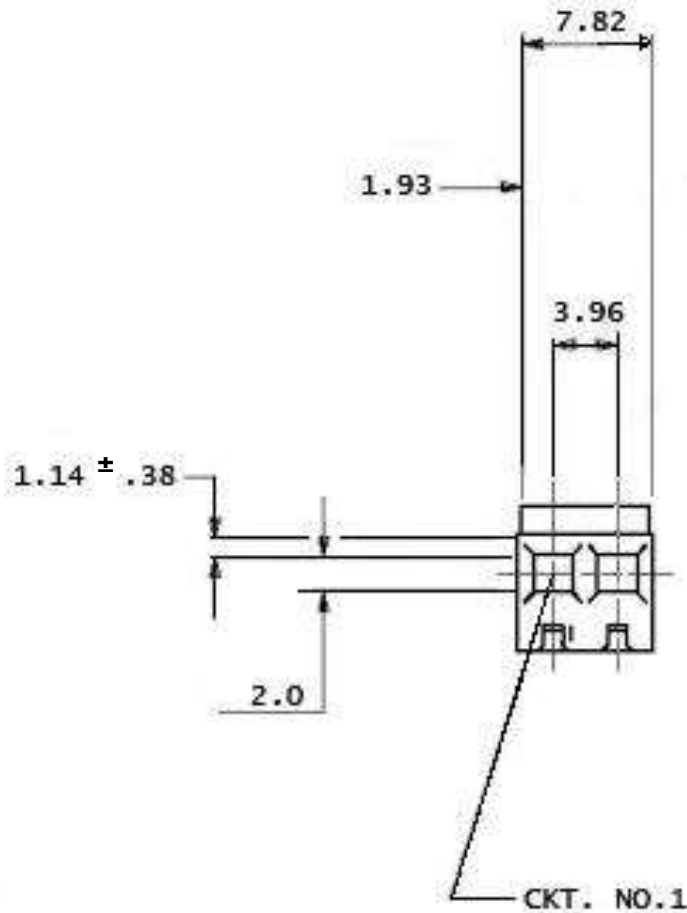




10.2 MIN.
INSERTION DEPTH

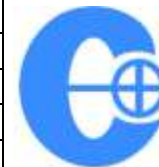


1.14 OR RND PIN IS STANDARD.
HOUSING WILL ACCEPT PIN SIZES
FROM 1.57.



| | |
|-------------------|---|
| PART TITLE | Molex, 2 Pin Plug w/ Locking Ramp, 0.156" Center |
|-------------------|---|

| | |
|-----------------|----------------|
| PART NO. | Mo1:09-50-3021 |
| DATE | 12.11.2014 |
| APPROVAL | CB |
| UNIT | mm |
| REV | 0 |



CONDOR ELECTRONICS, INC.
T: 408-745-7141 F: 408-745-0439
780 Montague Expy. Ste. 406
San Jose, CA 95131 USA
sales@condorelectronics.net