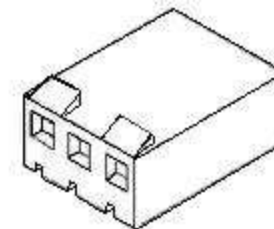
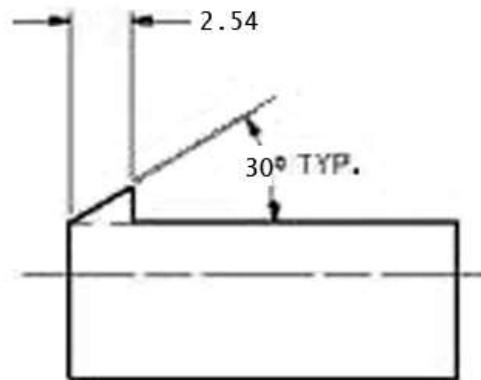
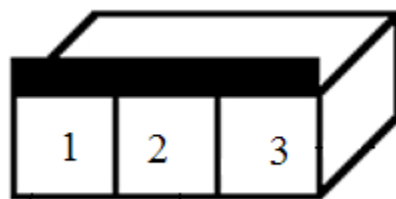


1.14 SO. OR ROUND PIN IS STANDARD.
HOUSING WILL ACCEPT PIN SIZES FROM
.511 TO 1.57.



PART TITLE	Molex, 3 Pin Plug w/ Locking Ramp, 0.156" Center
-------------------	---

PART NO.	Mo1:09-50-3031
DATE	12.11.2014
APPROVAL	CB
UNIT	mm
REV	0



CONDOR ELECTRONICS, INC.
T: 408-745-7141 F: 408-745-0439
990 San Antonio Road
Palo Alto, CA 94303 USA
sales@condorelectronics.net