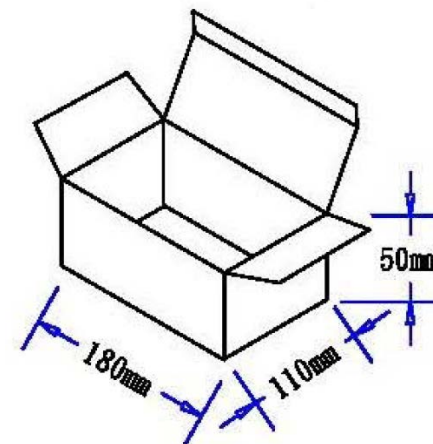


Output Plug and Polarity are Dependent on Customer Requirements


General Specifications

- Input: 100~240Vac/ 50~60Hz
- Output: +5VDC/0~10,000mA Regulated
- DC Cord: 20 IN (500MM), 16 AWG
- Operating/Storage Temperature: 0°C ~+40°C/ -20°C~+80°C
- Operating/Storage Humidity: 5%~90%RH
- Approvals: UL/CUL/FCC/TUV-GS/CE/WEEE/ROHS/VI
- Meets Energy Efficiency Level VI Standards
- Protection: Over Voltage/Short Circuit
- Packaged Unit Weight: .75 lbs
- Carton Quantity: 40 pcs

Inner Box Dimensions



*QUESTIONS ABOUT CONDOR'S PRODUCTS PLEASE CALL/EMAIL
408-745-7141/SALES@CONDORELECTRONICS.NET

| | | | |
|-----------------|------------------|--|---|
| ITEM NO. | S-5V0-10A0-IDG30 | PART TITLE | Energy Efficient 5 VDC / 10A Universal Input Power Supply |
| PART NO. | S6-0510A0I |  CONDOR ELECTRONICS, INC. T: 408-745-7141 F: 408-745-0439 990 San Antonio Road Palo Alto, CA 94303 USA sales@condorelectronics.net | |
| DATE | 4.25.2016 | | |
| APPROVAL | TN | | |
| UNIT | mm | | |
| REV | 0 | | |

Safety Standards

| Type(Marking) | Country/Region | Standard |
|---------------|----------------|--|
| UL/CUL | USA/Canada | Safety: UL 60950-1 |
| | | Safety: CSA C22.2 No 60950-1-07 |
| FCC | USA | EMI: FCC Part 15, Subpart B, Class B |
| CE | Europe | In accordance with the council directive 2004/108/EC Adapter Standard: EN61204-3 EMI: EN 55022 EMS: EN 5502-4 ERP 5278/2009 |
| PSE | Japan | 適用試験基準：電気用品の技術上の基準を定める省令の解釈 Applied Standard for Testing: Description of the technical requirements by the METI Ordinance. 別表第十二 60950-1(h26), J55022(H22) |
| GS | Germany | Safety: EN 60950-1 |

