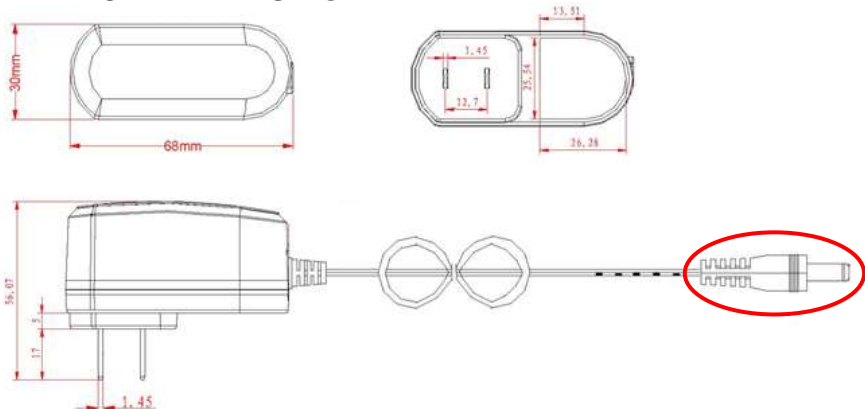


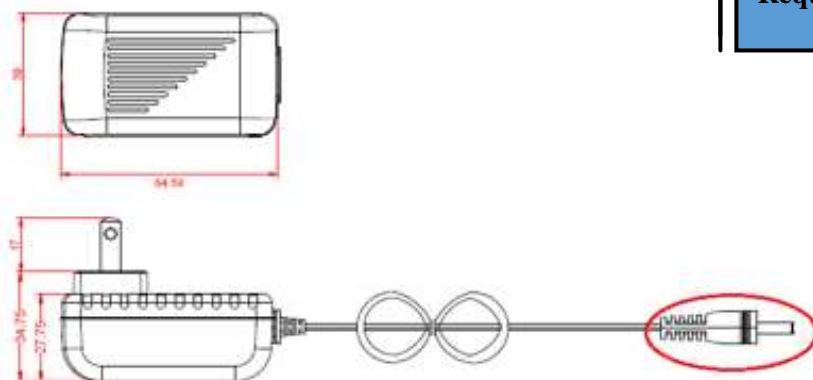


**Output Plug and Polarity are Dependent on Customer Requirements**

**VERTICAL BLADES – SPECIFY P/N WITH “V”**



**WALL PLUG-IN - SPECIFY P/N WITH "W"**

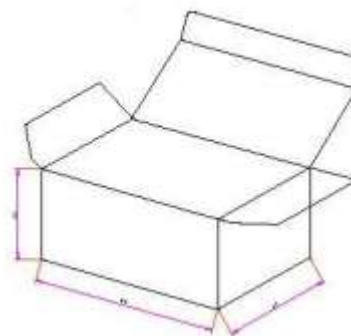


**General Specifications**


- Input: 100~240Vac/ 50~60Hz
- Output: +5VDC/0~1500mA Regulated
- DC Cord: 6 FT, 20 AWG
- Operating/Storage Temperature: 0°C ~+40°C/ -20°C~+80°C
- Operating/Storage Humidity: 5%~90%RH
- Approvals: UL/CUL/FCC/LPS/WEEE/ROHS/VI
- Meets Energy Efficiency Level VI Standards
- Protection: Over Voltage/Short Circuit
- Packaged Unit Weight: .11 lb
- Carton Quantity: 100 pcs

\*\*\*See Full Series on Page 2

**Inner Box Dimensions**



**90 x 65 x 42mm**

|                 |                |   |  |
|-----------------|----------------|---|--|
| <b>ITEM NO.</b> | S-5V0-1A5-UV30 | <b>PART TITLE</b>   | Energy Efficient Vertical Blades 5 VDC / 1.5A Universal Input Power Supply |
| <b>PART NO.</b> | S6-051A5V      |  <b>CONDOR ELECTRONICS, INC.</b><br>T: 408-745-7141 F: 408-745-0439<br>780 Montague Expy. Ste. 406<br>San Jose, CA 95131 USA<br><a href="mailto:sales@condorelectronics.net">sales@condorelectronics.net</a> |  |
| <b>DATE</b>     | 5.11.2016      |   |  |
| <b>APPROVAL</b> | TN             |   |  |
| <b>UNIT</b>     | mm             |   |  |
| <b>REV</b>      | 0              |   |  |

# 7.5W LEVEL VI – Wall Mount Series

| OnLine Part Number | Condor P/N    | OUTPUT VOLTAGE | OUTPUT CURRENT | INPUT VOLTAGE | FREQUENCY |
|--------------------|---------------|----------------|----------------|---------------|-----------|
| S-5V0-1A5-UV30     | S6-051A5V(*W) | 5.0V           | 1.5A           | 100-240VAC    | 50-60Hz   |
| S-6V0-1A2-UV30     | S6-061A2V(*W) | 6.0V           | 1.25A          | 100-240VAC    | 50-60Hz   |
| S-7V5-1A0-UV30     | S6-071A0V(*W) | 7.5V           | 1.0A           | 100-240VAC    | 50-60Hz   |
| S-9V0-0A8-UV30     | S6-090A8V(*W) | 9.0V           | 0.83A          | 100-240VAC    | 50-60Hz   |
| S-12V0-0A6-UV30    | S6-120A6V(*W) | 12.0V          | 0.625A         | 100-240VAC    | 50-60Hz   |
| S-15V0-0A5-UV30    | S6-150A5V(*W) | 15.0V          | 0.5A           | 100-240VAC    | 50-60Hz   |



\*All variations except S6-051A5W are available with a build to order (500-1000 pcs MOQ). Similar parts may be available in stock. Call/ Email for more details

## Input

- Voltage: 100~240VAC
- \*Input Style: Standard Vertical (Optional: Horizontal)
- Fixed Plug Options: US Standard (Optional: Euro, UK, AUS, China, Japan, Argentina)
- Line Frequency: 50~60Hz

## Output

- Load Regulation:  $\pm 5\%$  (Typical)
- Ripple: 100m Vp-p Max. for Output Voltage @ Full Load; low ripple and noise design for Audio/Video applications & ITE
- DC Cord: 22AWG / 20AWG
- Ferrite Cord: Non-standard (available with special build)
- DC Plug Options: Standard and Custom available

## Environmental

- Operating/Storage Temperature: 0°C ~+40°C/ -10°C~+70°C
- Relative Humidity: 5%(0°C)~+90%(40°C) 72H Full Load, Normal Operating

## Electrical

- EN60950 ITE and EN60065 Audio Standard
- Dielectric Withstand: 3000VAC Primary – Secondary
- Leakage Current: 0.25mA
- Efficiency: US DOE Level VI, EU ErP Stage 2
- EMI Conduction & Radiation: Compliance to EN 55022 Class B, FCC Class B
- Harmonic Current Compliance to EN 61000-3-2,3
- EMS Immunity: Compliance to IEC 61000-4-2,3,4,5,6,8,11

\* **QUESTIONS ABOUT ANY OF CONDOR'S PRODUCTS PLEASE CALL/EMAIL 408-745-7141 / SALES@CONDORELECTRONICS.NET**

# Safety Standards

| Type(Marking) | Country/Region | Standard                             |
|---------------|----------------|--------------------------------------|
| UL/CUL        | USA/Canada     | Safety: UL 60950-1 2nd edition       |
|               |                | Safety: CSA C22.2 No 60950-1-07      |
| FCC           | USA            | EMI: FCC Part 15, Subpart B, Class B |

