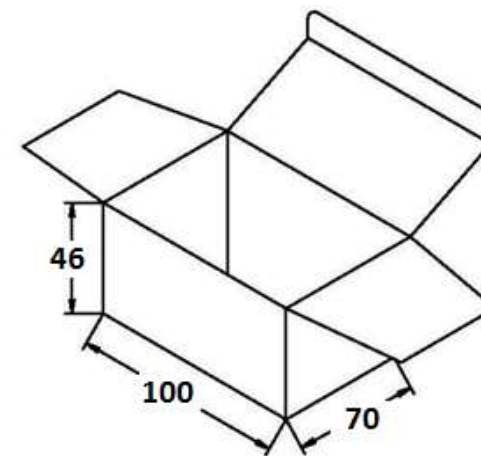


White Inner Box Dimensions



General Specifications

- Input: 100~240Vac/ 50~60Hz
- Output: +5.2VDC/0~2500mA Regulated
- Catalog Type: 24W – Wall Mount Style
- DC Cord: 3.2 FT MIN, 20 AWG
- Operating/Storage Temperature: 0°C ~+40°C/ -10°C~+55°C
- Relative Humidity: 5%(0 °C~+90°C(40°C) 72H Full Load, Normal Operating
- Approvals: UL/CUL/FCC/LPS/WEEE/ROHS/ VI
- Meets Energy Efficiency Level VI Standards/ErP Stage 2
- Protection: Over Voltage/Short Circuit
- Packaged Unit Weight: 0.25 Lbs.
- Carton Quantity: 80 pcs

<i>ITEM NO.</i>	S-5V2-2A5-U30-MICB	<i>PART TITLE</i>	Energy Efficient 5.2 VDC / 2.5A Universal Input Power Supply
<i>PART NO.</i>	S6-0522A5W-MICB	 CONDOR ELECTRONICS, INC. T: 408-745-7141 F: 408-745-0439 990 San Antonio Road Palo Alto, CA 94303 USA sales@condorelectronics.net	
<i>DATE</i>	12.16.2015		
<i>APPROVAL</i>	CB		
<i>UNIT</i>	mm		
<i>REV</i>	0		

24W LEVEL VI – Wall Mount Series

OUTPUT VOLTAGE RANGE	OUTPUT CURRENT RANGE	INPUT VOLTAGE	FREQUENCY
5.0V - 24.0V	0.1A - 3.0A	100-240VAC	50-60Hz

*All variations between the output ranges are available with a build to order. Similar parts may be available in stock. Call for more details.

Input

- Voltage: 100~240VAC
- Line Frequency: 50~60Hz
- Current: 1.2A Max

Output

- Load Regulation: $\pm 5\%$ (Typical)
- Ripple: 1~2% Vp-p Max. for Output Voltage @ Full Load
- DC Cord: 20AWG / 18AWG / 16AWG
- Ferrite Cord: No
- DC Plug Options: Standard and Custom available

Environmental

- Operating/Storage Temperature: 0°C ~+40°C/ -20°C~+80°C
- Operating/Storage Humidity: 20%~80%RH/ 10%~90%RH



Environmental

- Operating/Storage Temperature: 0°C ~+40°C/ -10°C~+55°C
- Relative Humidity: 5%(0 °C~+90°C(40°C) 72H Full Load, Normal Operating

Electrical

- EN60950 ITE and EN60065 Audio Standard
- Dielectric Withstand: 3000VAC Primary – Secondary
- Leakage Current: 0.25mA
- Efficiency: DoE Level VI, Energy Star, ErP Stage 2
- EMI Conduction & Radiation: Compliance to EN 55022 Class B
- Harmonic Current Compliance to EN 61000-3-2,3
- EMS Immunity: Compliance to IEC 61000-42,3,4,5,6,8,11

Full Safety Standard Below

* **QUESTIONS ABOUT ANY OF CONDOR'S PRODUCTS PLEASE CALL/EMAIL 408-745-7141 / SALES@CONDORELECTRONICS.NET**

Safety Standards

Type(Marking)	Country/Region	Standard
UL/CUL	USA/Canada	Safety: UL 60950-1
		Safety: CSA C22.2 No 60950-1-07
FCC	USA	EMI: FCC Part 15, Subpart B, Class B

