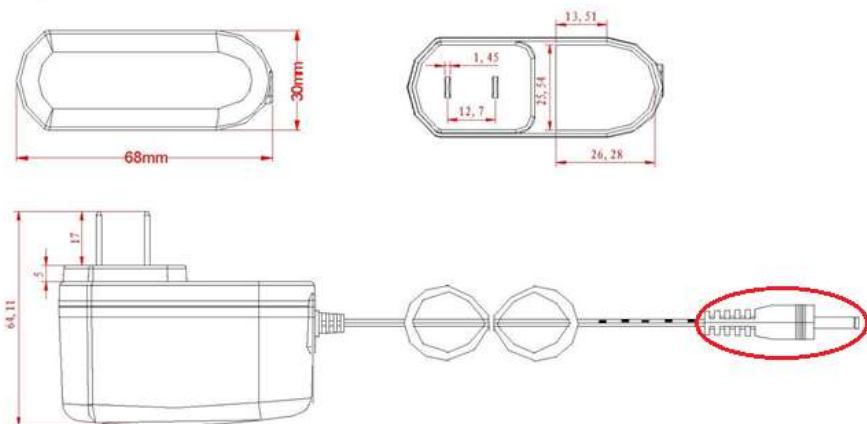


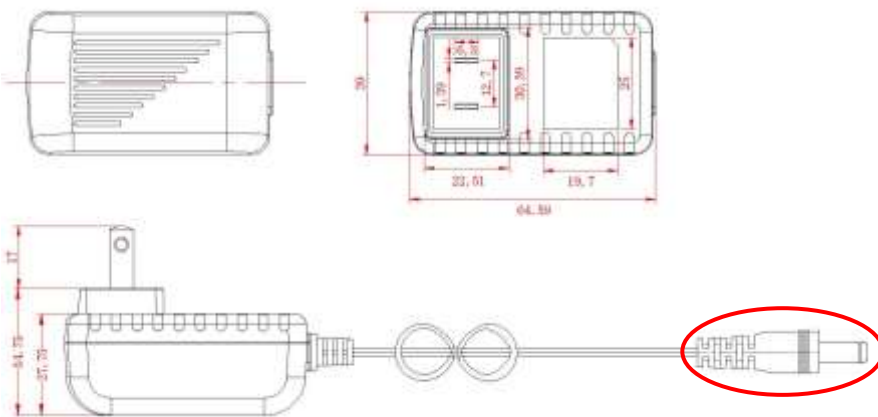


**Output Plug and Polarity are Dependent on Customer Requirements**

**VERTICAL BLADES - SPECIFY P/N WITH "V"**



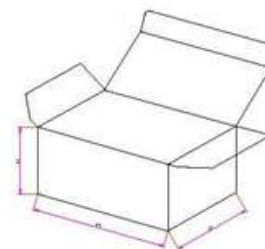
**WALL PLUG-IN – SPECIFY P/N WITH "W"**



**General Specifications**


- Input: 100~240Vac/ 50~60Hz
- Output: +5VDC/0~2000mA Regulated
- DC Cord: 6 FT, 20 AWG
- Operating/Storage Temperature: 0°C ~+40°C/ -20°C~+80°C
- Operating/Storage Humidity: 5%~90%RH
- Approvals: UL/CUL/FCC/LPS/WEEE/ROHS/VI
- Meets Energy Efficiency Level VI Standards (US DOE and EU ErP Stage 2)
- Protection: Over Voltage/Short Circuit
- Packaged Unit Weight: .17 lbs
- Carton Quantity: 80 pcs

**Inner Box Dimensions**



100 x 70 x 46mm

\*\*See Full Series on 2<sup>nd</sup> Page

ITEM NO.	S-5V0-2A0-UV30	PART TITLE	Energy Efficient Vertical Blades 5 VDC / 2A North American Input Power Supply
PART NO.	S6-052A0V	 <b>CONDOR ELECTRONICS, INC.</b> T: 408-745-7141 F: 408-745-0439 990 San Antonio Road Palo Alto, CA 94303 USA <a href="mailto:sales@condorelectronics.net">sales@condorelectronics.net</a>	
DATE	4.01.2016		
APPROVAL	TN		
UNIT	mm		
REV	0		

\* QUESTIONS ABOUT ANY OF CONDOR'S PRODUCTS PLEASE CALL/EMAIL TEL: 408-745-7141 / EMAIL: SALES@CONDORELECTRONICS.NET

# 12W LEVEL VI – Wall Mount Series

OnLine Part Number	Condor P/N	OUTPUT VOLTAGE	OUTPUT CURRENT	INPUT VOLTAGE	FREQUENCY
S-5V0-2A0-UV30	S6-052A0V(*W)	5.0V	2.0A	100-240VAC	50-60Hz
S-5V0-2A5-U30	S6-052A5W(*V)	5.0V	2.5A	100-240VAC	50-60Hz
S-6V0-2A0-UV30	S6-062A0V(*W)	6.0V	2.0A	100-240VAC	50-60Hz
S-7V5-1A5-UV30	S6-071A5V(*W)	7.5V	1.5A	100-240VAC	50-60Hz
S-9V0-1A2-UV30	S6-091A2V(*W)	9.0V	1.2A	100-240VAC	50-60Hz
S-12V0-1A0-UV30	S6-121A0V(*W)	12.0V	1.0A	100-240VAC	50-60Hz
S-15V0-0A8-UV30	S6-150A8V(*W)	15.0V	0.8A	100-240VAC	50-60Hz
S-24V0-0A5-UV30	S6-240A5V(*W)	24.0V	0.5A	100-240VAC	50-60Hz



\*Indicates build to order case option. The output ratings shown above are most standard. Special configurations can be built to order with MOQ of 500-1000 pcs. Output voltage range from 5.0 to 24.0V with maximum 12W output rating available. \*Fixed plug types for Australia(A), Europe(E), UK(B) also can be built – please call or email for more details

## Input

- Voltage: 100~240VAC
- Line Frequency: 50~60Hz

## Output

- Load Regulation:  $\pm 5\%$  (Typical)
- Ripple: 1~2% V p-p Max. for Output Voltage @ Full Load; low ripple and noise design for Audio/Video applications & ITE
- DC Cord: 22AWG / 20AWG / 18AWG
- Ferrite: Non-standard (available with special build)
- DC Plug Options: Standard and Custom available

## Environmental

- Operating/Storage Temperature: 0°C ~+40°C/ -10°C~+70°C
- Relative Humidity: 5%(0°C)~90%(40°C) 72H Full Load, Normal Operating

## Electrical

- EN60950 ITE and EN60065 Audio Standard
- Dielectric Withstand: 3000VAC Primary – Secondary
- Leakage Current: 0.25mA
- Efficiency: US DOE Level VI, EU ErP Stage 2
- EMI Conduction & Radiation: Compliance to EN 55022 Class B; FCC Class B
- Harmonic Current Compliance to EN 61000-3-2,3
- EMS Immunity: Compliance to IEC 61000-4-2,3,4,5,6,8,11

\* **QUESTIONS ABOUT ANY OF CONDOR'S PRODUCTS PLEASE CALL/EMAIL TEL: 408-745-7141 / EMAIL: SALES@CONDORELECTRONICS.NET**

# Safety Standards

Type(Marking)	Country/Region	Standard
UL/CUL	USA/Canada	Safety: UL 60950-1 2 <sup>nd</sup> edition
		Safety: CSA C22.2 No 60950-1-07
FCC	USA	EMI: FCC Part 15, Subpart B, Class B



\* **QUESTIONS ABOUT ANY OF CONDOR'S PRODUCTS PLEASE CALL/EMAIL TEL: 408-745-7141 / EMAIL: SALES@CONDORELECTRONICS.NET**