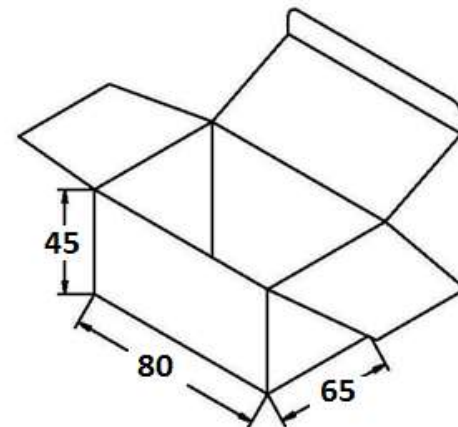


**Output Plug and Polarity are Dependent on Customer Requirements**

### General Specifications

- Input: 100~240Vac/ 50~60Hz
- Output: +6VDC/0~1000mA Regulated
- Catalog Type: 7.5W – Wall Mount Series
- DC Cord: 4.9 FT, 22 AWG
- Operating/Storage Temperature: 0°C ~+40°C/ -10°C~+55°C
- Relative Humidity: 5%(0 °C~+90°C(40°C) 72H Full Load, Normal Operating
- Approvals: UL/CUL/FCC/LPS/WEEE/ROHS/ VI
- Meets Energy Efficiency Level VI Standards
- Protection: Over Voltage/Short Circuit
- Packaged Unit Weight: 0.21 Lbs.
- Carton Quantity: 100 pcs

### Inner Box Dimensions



<b>ITEM NO.</b>	S-6V0-1A0-U30	<b>PART TITLE</b>	Energy Efficient 6 VDC / 1.0A Universal Input Power Supply
<b>PART NO.</b>	S6-061A0W	 <b>CONDOR ELECTRONICS, INC.</b> T: 408-745-7141 F: 408-745-0439 990 San Antonio Road Palo Alto, CA 94303 USA <a href="mailto:sales@condorelectronics.net">sales@condorelectronics.net</a>	
<b>DATE</b>	12.16.2015		
<b>APPROVAL</b>	CB		
<b>UNIT</b>	mm		
<b>REV</b>	0		

# 7.5W LEVEL VI – Wall Mount Series

OnLine Part Number	Condor P/N	OUTPUT VOLTAGE	OUTPUT CURRENT	INPUT VOLTAGE	FREQUENCY
S-5V0-1A5-U30	S6-051A5W(*V)	5.0V	1.5A	100-240VAC	50-60Hz
S-6V0-1A25-U30	S6-061A25W(*V)	6.0V	1.25A	100-240VAC	50-60Hz
S-7V5-1A0-U30	S6-071A0W(*V)	7.5V	1.0A	100-240VAC	50-60Hz
S-9V0-0A8-U30	S6-090A8W(*V)	9.0V	0.8A	100-240VAC	50-60Hz
S-12V0-0A6-U30	S6-120A6W(*V)	12.0V	0.6A	100-240VAC	50-60Hz
S-15V0-0A5-U30	S6-150A5W(*V)	15.0V	0.5A	100-240VAC	50-60Hz



\*All variations except S6-051A5W are available with a build to order. Similar parts may be available in stock. Call for more details.

## Input

- Voltage: 100~240VAC
- \*Input Style: Standard Horizontal (Vertical Optional)
- Fixed Plug Options: US Standard (Optional: Euro, UK, AUS, China, Japan, Argentina)
- Line Frequency: 50~60Hz
- Current: 1.2A Max

## Output

- Load Regulation:  $\pm 5\%$  (Typical)
- Ripple: 100m Vp-p Max. for Output Voltage @ Full Load
- DC Cord: 24AWG / 22AWG / 20AWG
- Ferrite Cord: No (Optional)
- DC Plug Options: Standard and Custom available

## Environmental

- Operating/Storage Temperature: 0°C ~+40°C/ -10°C~+55°C
- Relative Humidity: 5%(0 °C~+90°C(40°C) 72H Full Load, Normal Operating

## Electrical

- EN60950 ITE and EN60065 Audio Standard
- Dielectric Withstand: 3000VAC Primary – Secondary
- Leakage Current: 0.25mA
- Efficiency: DoE Level VI, Energy Star, ErP Stage 2
- EMI Conduction & Radiation: Compliance to EN 55022 Class B
- Harmonic Current Compliance to EN 61000-3-2,3
- EMS Immunity: Compliance to IEC 61000-42,3,4,5,6,8,11

**Full Safety Standard Below**

\* **QUESTIONS ABOUT ANY OF CONDOR'S PRODUCTS PLEASE CALL/EMAIL 408-745-7141 / SALES@CONDORELECTRONICS.NET**

# Safety Standards

Type(Marking)	Country/Region	Standard
UL/CUL	USA/Canada	Safety: UL 60950-1
		Safety: CSA C22.2 No 60950-1-07
FCC	USA	EMI: FCC Part 15, Subpart B, Class B

