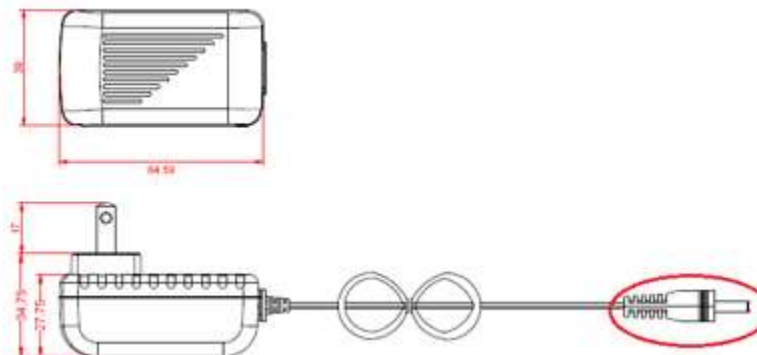
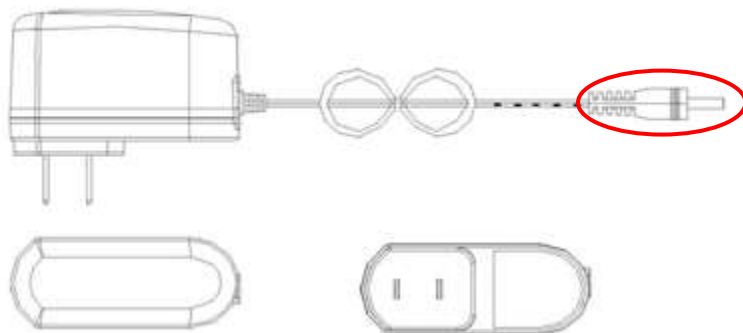




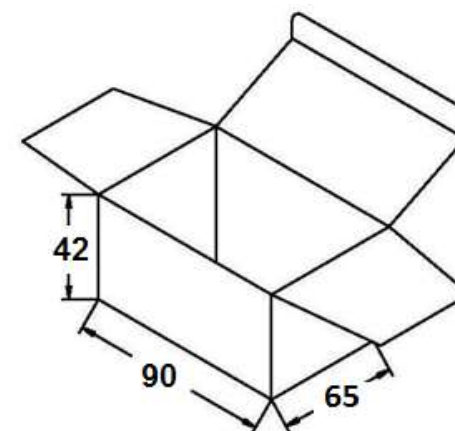
Output Plug and Polarity are Dependent on Customer Requirements

VERTICAL BLADES - SPECIFY P/N WITH "V"

WALL PLUG-IN - SPECIFY P/N WITH "W"



INNER BOX DIMENSIONS



General Specifications

- Input: 100~240Vac/ 50~60Hz
- Output: +7VDC/0~1000mA Regulated
- DC Cord: 6 FT, 22 AWG
- Operating/Storage Temperature: 0°C ~+40°C/ -10°C~+70°C
- Relative Humidity: 5%(0°C)~+90%(40°C) 72H Full Load, Normal Operating
- Approvals: UL/CUL/FCC/LPS/WEEE/ROHS/ VI
- Meets Energy Efficiency Level VI Standards (US DOE and EU ErP Stage 2)
- Protection: Over Voltage/Short Circuit
- Packaged Unit Weight: 0.11 Lbs.
- Carton Quantity: 100 pcs

***See Full Series on Page 2

<i>ITEM NO.</i>	S-7V0-1A0-UV30	<i>PART TITLE</i>	Energy Efficient 7 VDC / 1A Universal Input Power Supply
<i>PART NO.</i>	S6-071A0V	 CONDOR ELECTRONICS, INC. T: 408-745-7141 F: 408-745-0439 990 San Antonio Road Palo Alto, CA 94303 USA sales@condorelectronics.net	
<i>DATE</i>	05.20.2016		
<i>APPROVAL</i>	TN		
<i>UNIT</i>	mm		
<i>REV</i>	0		

7.5W LEVEL VI – Wall Mount Series

OnLine Part Number	Condor P/N	OUTPUT VOLTAGE	OUTPUT CURRENT	INPUT VOLTAGE	FREQUENCY
S-5V0-1A5-UV30	S6-051A5V(*W)	5.0V	1.5A	100-240VAC	50-60Hz
S-6V0-1A2-UV30	S6-061A2V(*W)	6.0V	1.25A	100-240VAC	50-60Hz
S-7V5-1A0-UV30	S6-071A0V(*W)	7.5V	1.0A	100-240VAC	50-60Hz
S-9V0-0A8-UV30	S6-090A8V(*W)	9.0V	0.83A	100-240VAC	50-60Hz
S-12V0-0A6-UV30	S6-120A6V(*W)	12.0V	0.625A	100-240VAC	50-60Hz
S-15V0-0A5-UV30	S6-150A5V(*W)	15.0V	0.5A	100-240VAC	50-60Hz



*All variations except S6-051A5W are available with a build to order (500-1000 pcs MOQ). Similar parts may be available in stock. Call/ Email for more details

Input

- Voltage: 100~240VAC
- *Input Style: Standard Vertical (Optional: Horizontal)
- Fixed Plug Options: US Standard (Optional: Euro, UK, AUS, China, Japan, Argentina)
- Line Frequency: 50~60Hz

Output

- Load Regulation: $\pm 5\%$ (Typical)
- Ripple: 100m Vp-p Max. for Output Voltage @ Full Load; low ripple and noise design for Audio/Video applications & ITE
- DC Cord: 22AWG / 20AWG
- Ferrite Cord: Non-standard (available with special build)
- DC Plug Options: Standard and Custom available

Environmental

- Operating/Storage Temperature: 0°C ~+40°C/ -10°C~+70°C
- Relative Humidity: 5%(0°C)~+90%(40°C) 72H Full Load, Normal Operating

Electrical

- EN60950 ITE and EN60065 Audio Standard
- Dielectric Withstand: 3000VAC Primary – Secondary
- Leakage Current: 0.25mA
- Efficiency: US DOE Level VI, EU ErP Stage 2
- EMI Conduction & Radiation: Compliance to EN 55022 Class B, FCC Class B
- Harmonic Current Compliance to EN 61000-3-2,3
- EMS Immunity: Compliance to IEC 61000-4-2,3,4,5,6,8,11

* **QUESTIONS ABOUT ANY OF CONDOR'S PRODUCTS PLEASE CALL/EMAIL 408-745-7141 / SALES@CONDORELECTRONICS.NET**

Safety Standards

Type(Marking)	Country/Region	Standard
UL/CUL	USA/Canada	Safety: UL 60950-1 2nd edition
		Safety: CSA C22.2 No 60950-1-07
FCC	USA	EMI: FCC Part 15, Subpart B, Class B

