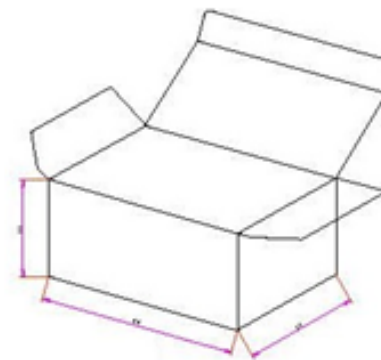


Output Plug and Polarity are Dependent on Customer Requirements


General Specifications

- Input: 100~240Vac/ 50~60Hz
- Output: +9VDC/0~2500mA Regulated
- AC Cord: 2 FT, 18 AWG (Attached)
- DC Cord: 4.1 FT, 18 AWG
- Operating/Storage Temperature: 0°C ~+40°C/ -10°C~+70°C
- Operating/Storage Humidity: 5%~90%RH
- Approvals: UL/CUL/FCC/LPS/WEEE/ROHS/VI
- Meets Efficiency Level VI Standards
- Protection: Over Voltage/Short Circuit
- Packaged Unit Weight: 0.40 lb
- Carton Quantity: 50 pcs

White Inner Box Dimensions



135 x 70 x 55 mm

ITEM NO.	S-9V0-2A5-UD30	PART TITLE	Energy Efficient 9 VDC / 2.5A North American Input Power Supply
PART NO.	S6-092A5D	 CONDOR ELECTRONICS, INC. T: 408-745-7141 F: 408-745-0439 990 San Antonio Road Palo Alto, CA 94303 USA sales@condorelectronics.net	
DATE	10.09.2018		
APPROVAL	WES		
UNIT	mm		
REV	0		