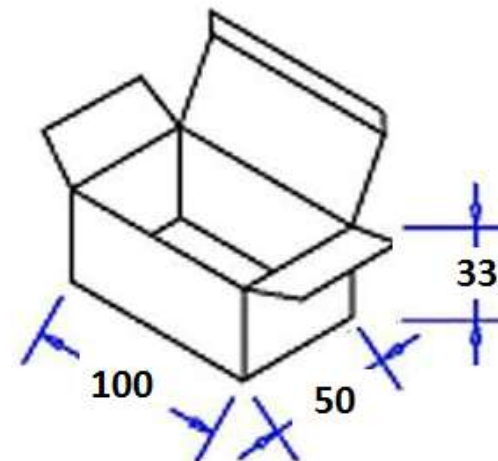


Output Plug and Polarity are Dependent on Customer Requirements

General Specifications

- Input: 100~240Vac/ 47~63Hz
- Output: +9VDC/0~2500mA Regulated
- Catalog Type: 24W – Desktop Series
- DC Cord: 4.9 FT, 20 AWG
- Operating/Storage Temperature: 0°C ~+40°C/ -20°C~+80°C
- Operating/Storage Humidity: 20%~80%RH/ 10%~90%RH
- Approvals: UL/CUL/FCC/LPS/PSE/BSMI/CCC/CHINA ROHS/NRCAN/RCM/ TUV/CE/WEEE/ROHS/VI
- Meets Energy Efficiency Level VI Standards / ErP Stage 2
- Protection: Over Voltage/Short Circuit
- Packaged Unit Weight: 0.36 Lbs.
- Carton Quantity: 100 pcs

White Inner Box Dimensions



ITEM NO.	S-9V0-2A5-IDG30	PART TITLE	Energy Efficient 9 VDC / 2.5A Universal Input Power Supply
PART NO.	S6-092A5I	 CONDOR ELECTRONICS, INC. T: 408-745-7141 F: 408-745-0439 990 San Antonio Road Palo Alto, CA 94303 USA sales@condorelectronics.net	
DATE	12.15.2015		
APPROVAL	CB		
UNIT	mm		
REV	0		

24W Level VI – Desktop Series

OnLine Part Number	Condor P/N	OUTPUT VOLTAGE	OUTPUT CURRENT	INPUT VOLTAGE	FREQUENCY
S-5V0-4A0-IDG30	S6-054A0I*	5.0V	4.0A	100-240VAC	50-60Hz
S-6V0-3A5-IDG30	S6-063A5I*	6.0V	3.5A	100-240VAC	50-60Hz
S-6V0-4A0-IDG30	S6-064A0I*	6.0V	4.0A	100-240VAC	50-60Hz
S-7V0-3A0-IDG30	S6-073A0I*	7.0V	3.0A	100-240VAC	50-60Hz
S-7V5-3A0-IDG30	S6-0753A0I*	7.5V	3.0A	100-240VAC	50-60Hz
S-9V0-2A5-IDG30	S6-092A5I	9.0V	2.5A	100-240VAC	50-60Hz
S-12V0-2A0-IDG30	S6-122A0I*	12.0V	2.0A	100-240VAC	50-60Hz
S-15V0-1A6-IDG30	S6-151A6I*	15.0V	1.6A	100-240VAC	50-60Hz
S-24V0-1A0-IDG30	S6-241A0I*	24.0V	1.0A	100-240VAC	50-60Hz
S-48V0-0A5-IDG30	S6-480A5I*	48.0V	0.5A	100-240VAC	50-60Hz

*Build to order items. Similar parts may be available in stock. Call for more details.

Input

- Voltage: 100~240VAC, C14 Socket Standard (C6, C8 Optional)
- Line Frequency: 50~60Hz
- Current: 1.2A Max

Output

- Load Regulation: ± 5% (Typical)
- Ripple: 1~2% Vp-p Max. for Output Voltage @ Full Load
- DC Cord: 22AWG / 20AWG / 18AWG
- Ferrite Cord: No (Optional)
- DC Plug Options: Standard and Custom available

Environmental

- Operating/Storage Temperature: 0°C ~+40°C/ -20°C~+80°C
- Operating/Storage Humidity: 20%~80%RH/ 10%~90%RH



Electrical

- Topology: Switching Flyback
- Dielectric Withstand: 3000VAC Primary – Secondary
- Leakage Current: 0.25mA
- MTBF: 300,000 Calculated Hours at 25°C
- Efficiency: DoE Level VI, Energy Star, ErP Stage 2, NRCan Certified
- EMI Conduction & Radiation: Compliance to EN 55022 Class B
- Harmonic Current Compliance to EN 61000-3-2,3
- EMS Immunity: Compliance to IEC 61000-4-2,3,4,5,6,8,11

Full Safety Standard Below

* QUESTIONS ABOUT ANY OF CONDOR'S PRODUCTS PLEASE CALL/EMAIL 408-745-7141/SALES@CONDORELECTRONICS.NET

Safety Standards

Type(Marking)	Country/Region	Standard
UL/CUL	USA/Canada	Safety: UL 60950-1
		Safety: CSA C22.2 No 60950-1-07
FCC	USA	EMI: FCC Part 15, Subpart B, Class B
CE	Europe	In accordance with the council directive 2004/108/EC Adapter Standard: EN61204-3 EMI: EN 55022 EMS: EN 5502-4 ERP 5278/2009
CCC	China	Safety: GB-4946-2001 EMI: GB9254-2008 EMS: GB17625.1-2003
PSE	Japan	適用試験基準：電気用品の技術上の基準を定める省令の解釈 Applied Standard for Testing: Description of the technical requirements by the METI Ordinance. 別表第十二J 60950-1(h26), J55022(H22)
GS	Germany	Safety: EN 60950-1
RCM	Australia/	Safety: SAA – AX/NZS 60950.1 EMI: C-TICK – AS/NZD CISPER22
R-MEPS	New Zealand	AS/NZS 4665.1:2005/Amd 1:2009 and AS/NZS 4665.2:2005/Amd 1:2009
BSMI	Taiwan	Safety: CNS14336-1 (99 年版) EMI: CNS13438 (95 年版)

